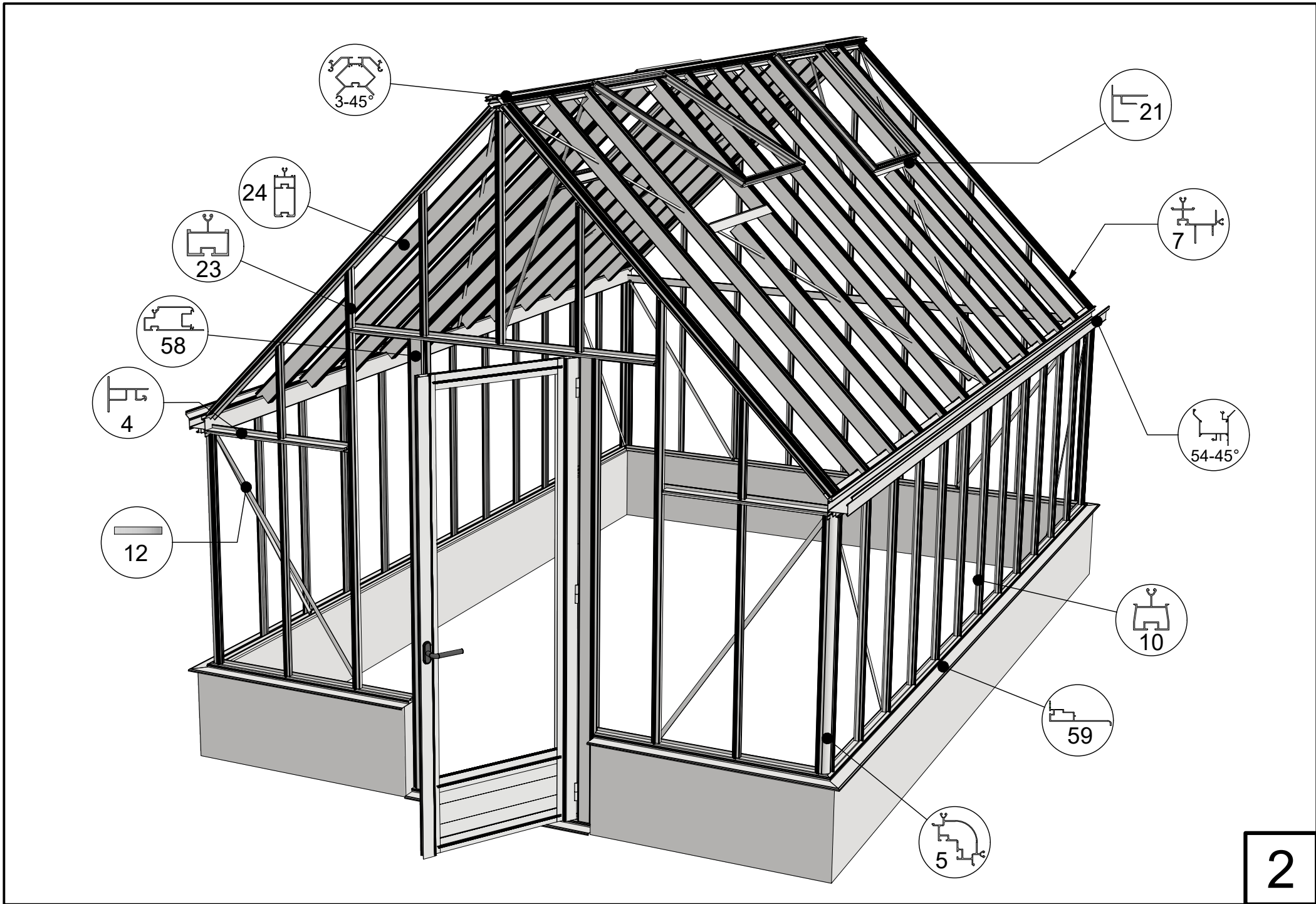
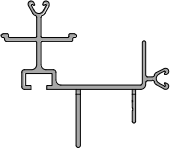
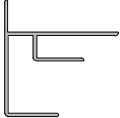

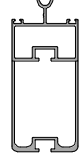
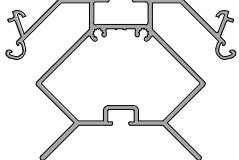

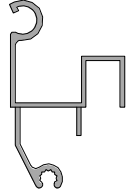
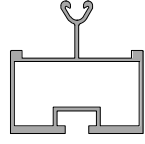
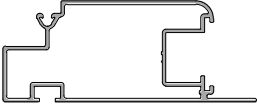
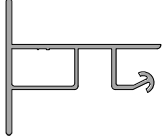
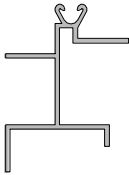
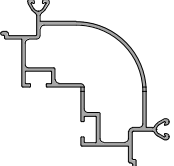
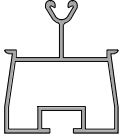
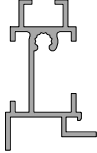
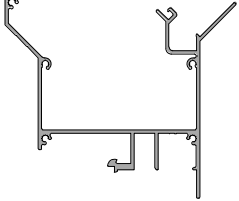
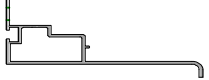
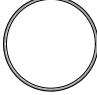


Rustiq 3,09 special on wall.



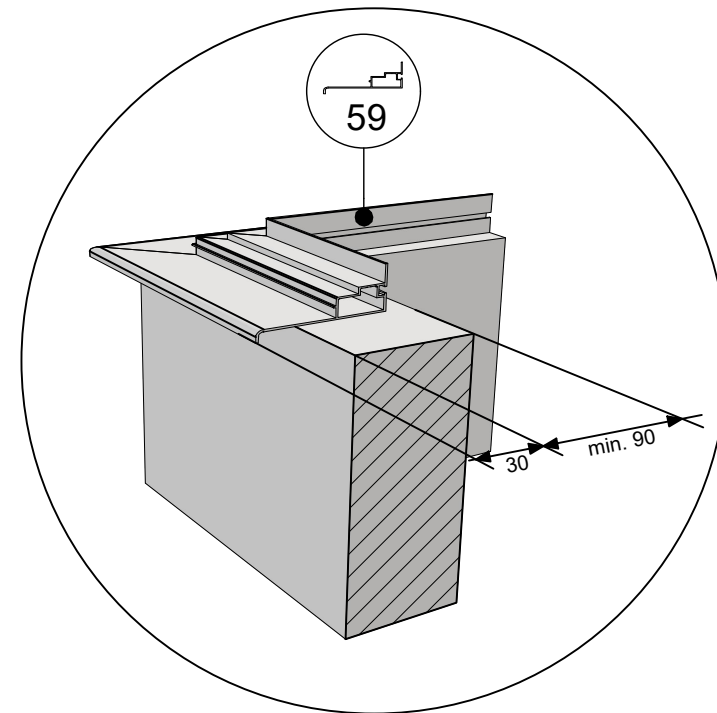
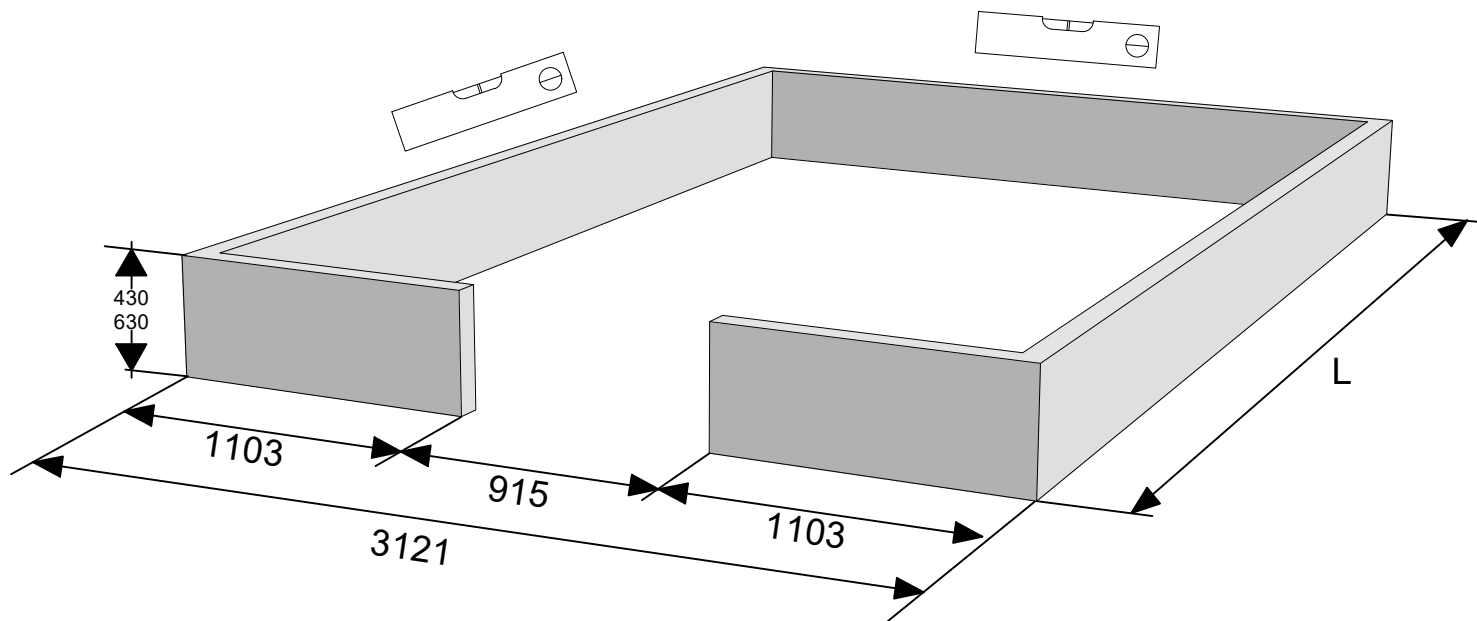
15-11-2023



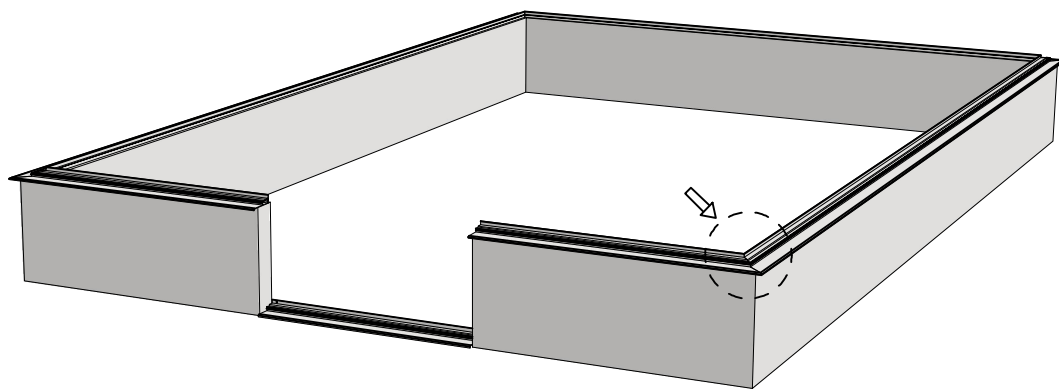
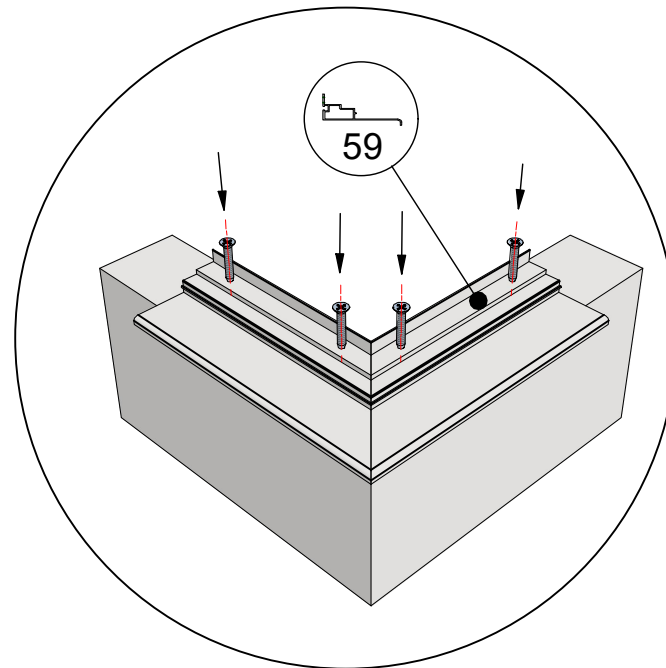
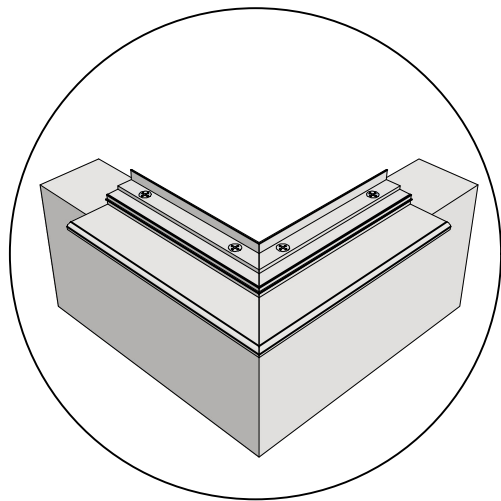
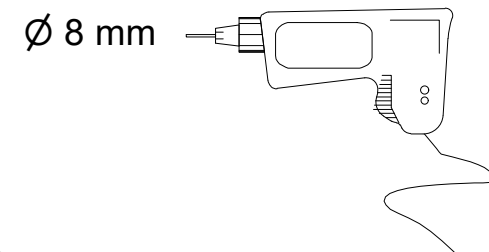
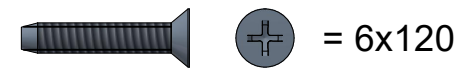
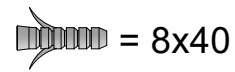
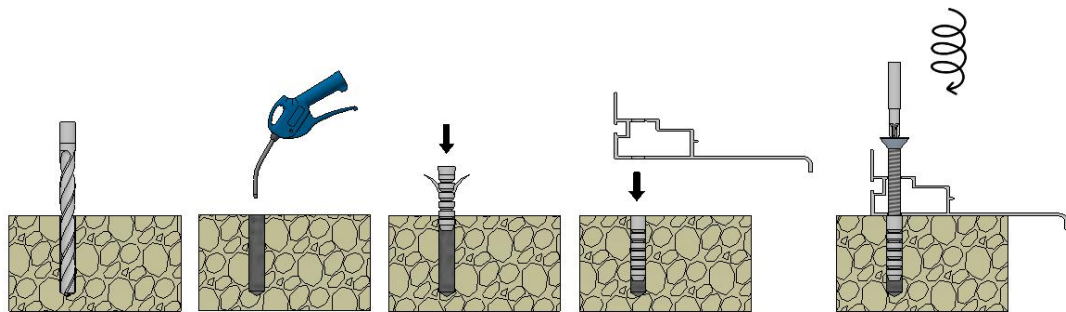
Profile list											
-	NR	Profile NR	-	NR	Profile NR	-	NR	Profile NR	-	NR	Profile NR
	7	7151		21	29577		12	7070		24	10968 U
	3-45°	15732		27	B 18		18	17542		23	17703
	58	12960		4	17549		19	17543			
	5	17548		10	17541		20T	28513			
	54-45°	17540		59	9249		40	B 50			

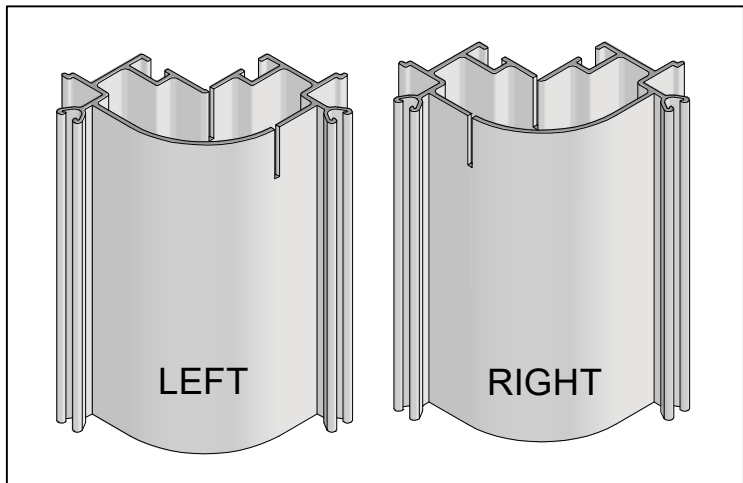
- Attention! Check inside the foundation for more profiles.
- Please fasten screws and nuts hand-tight.
- Achtung! Prüfen sie das fundament für weitere profile.
- Schraube und Mutter bitte handfest festziehen.
- Opgelet! kijk in de fundering voor andere profielen.
- Bout en moer a.u.b. handvast aandraaien.
- Attention! Regarde à l'intérieur du fondation pour plussier profils.
- Serrez les écrous et vis à la main s.v.p.
- Observera at en del profiler ligger i sockelprofilen!!
- Dra åt skruven och muttern handfast.



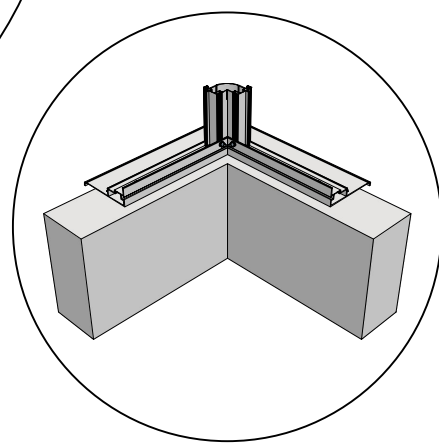
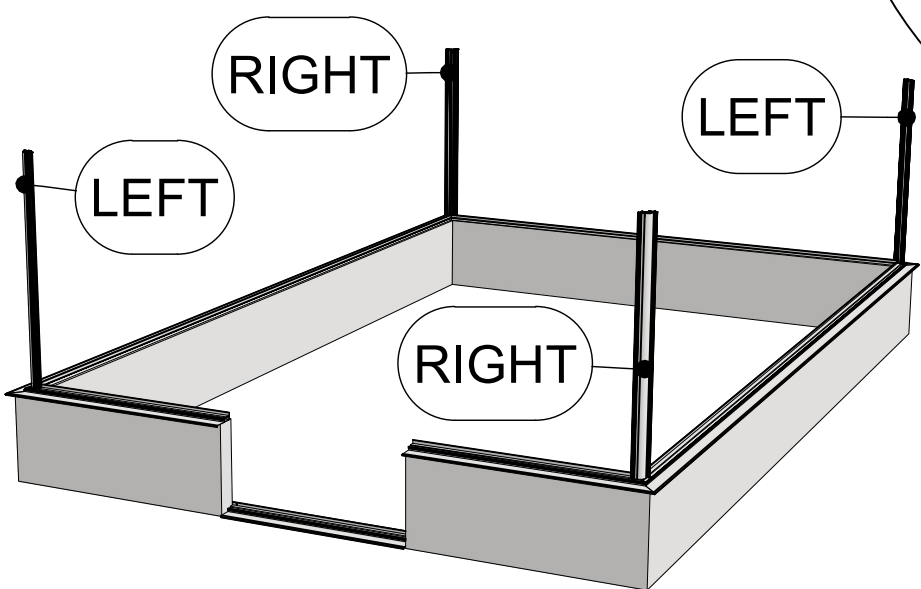
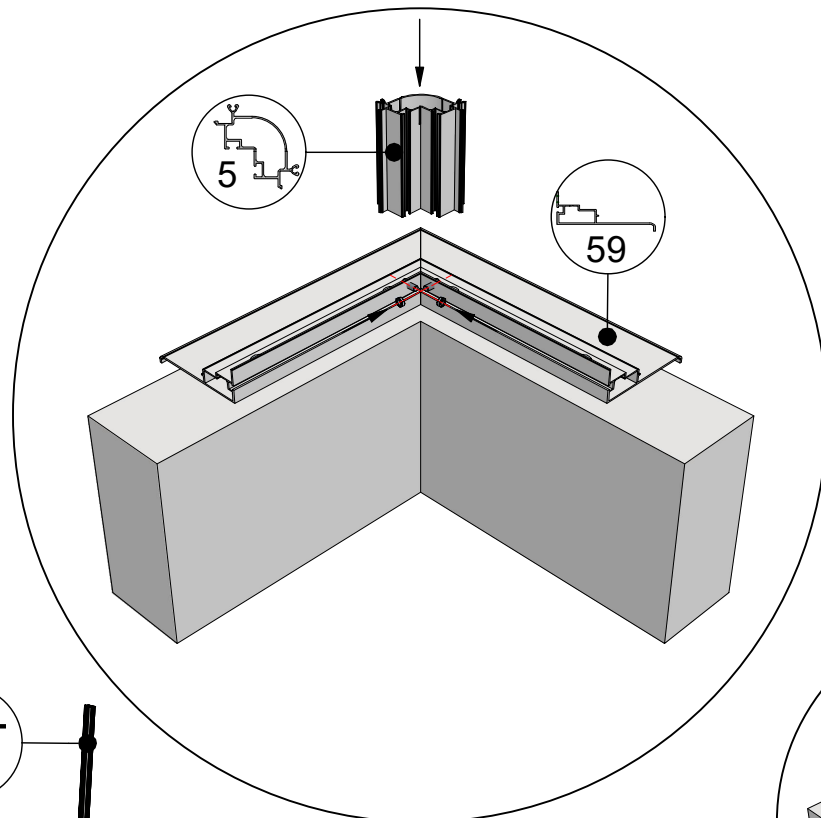



5

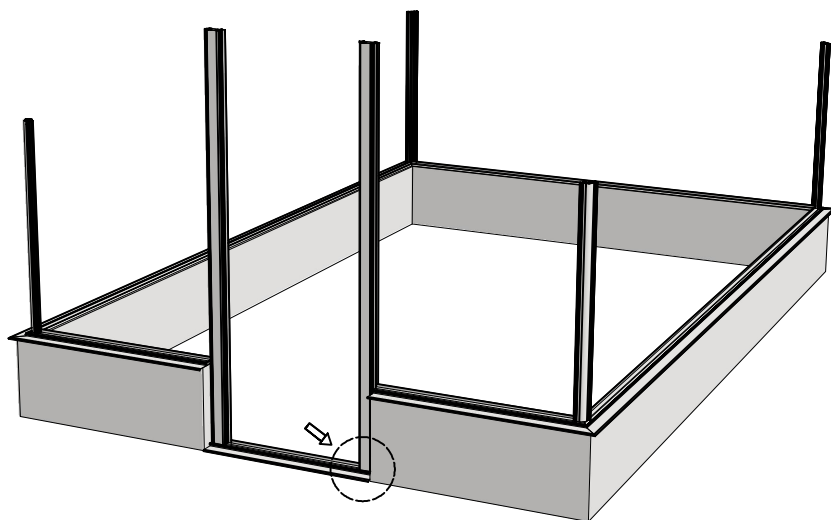
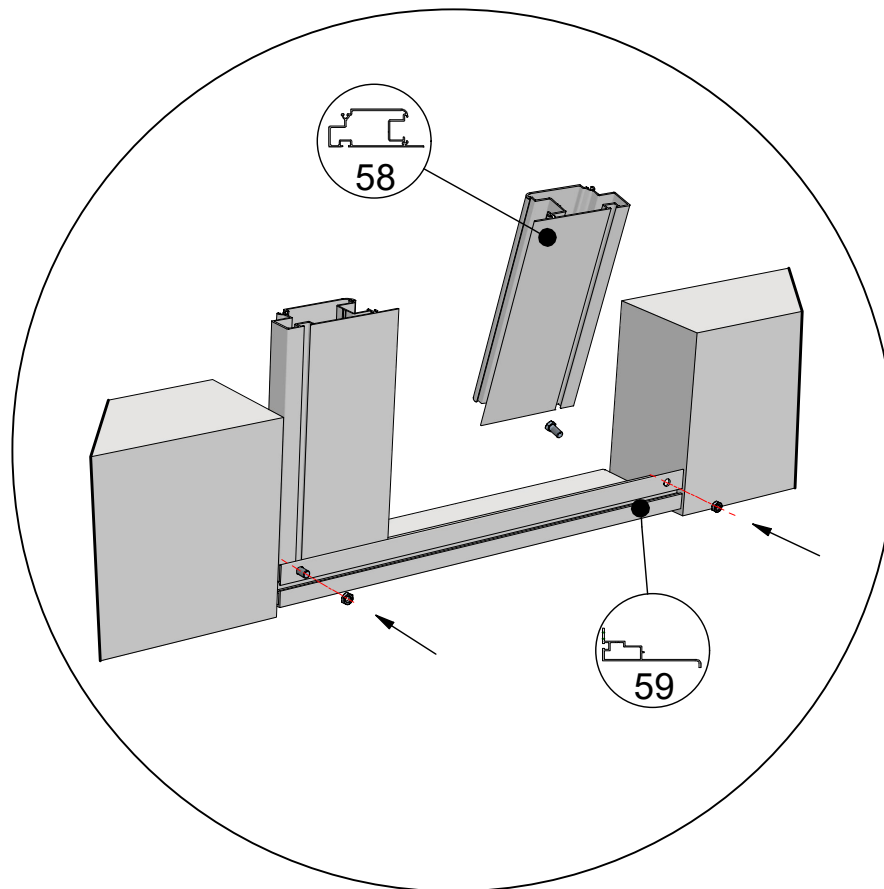
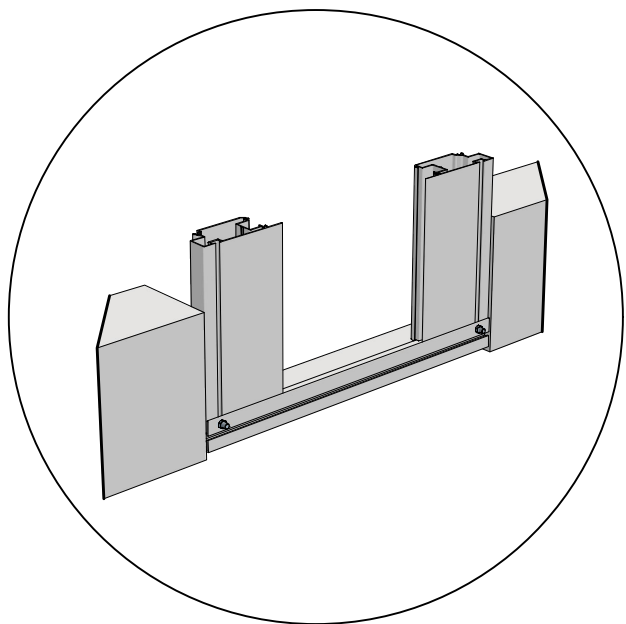


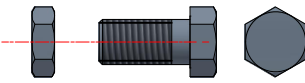


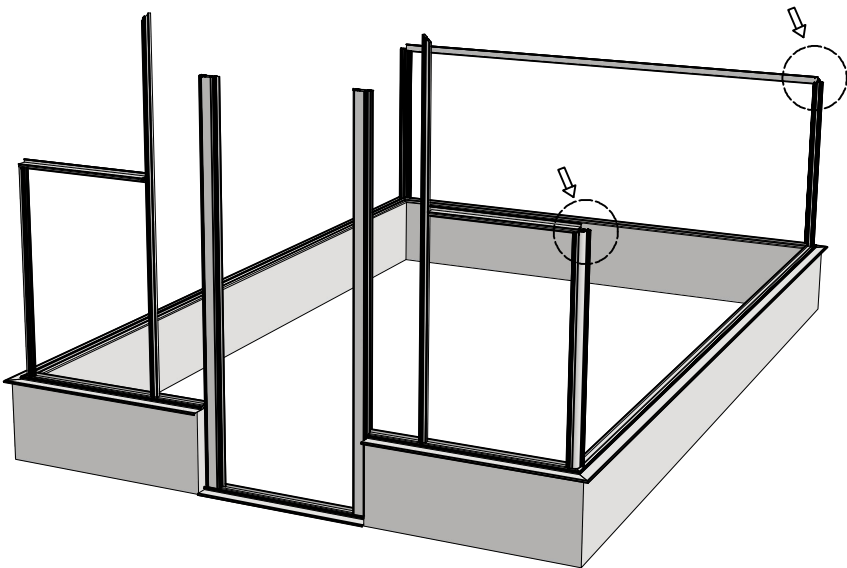
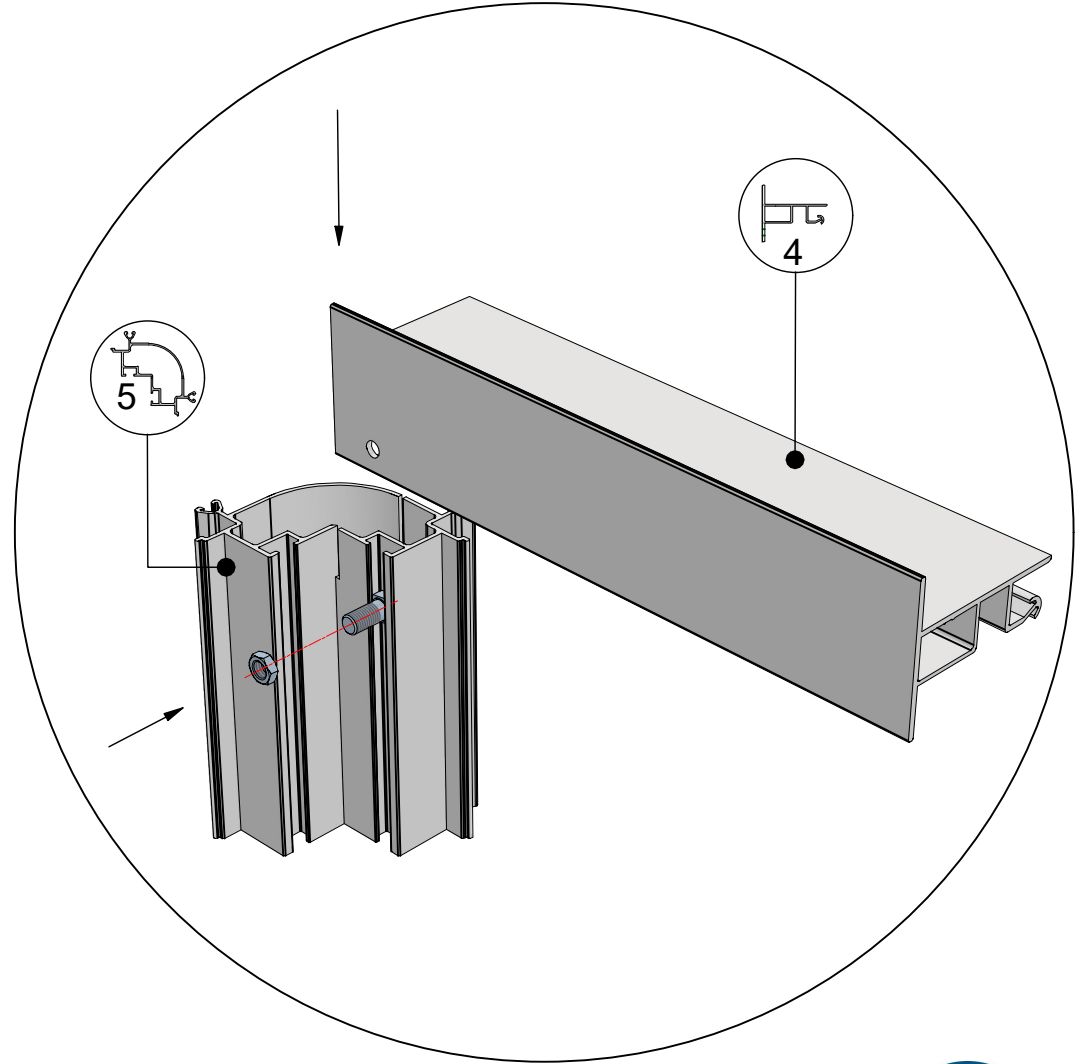
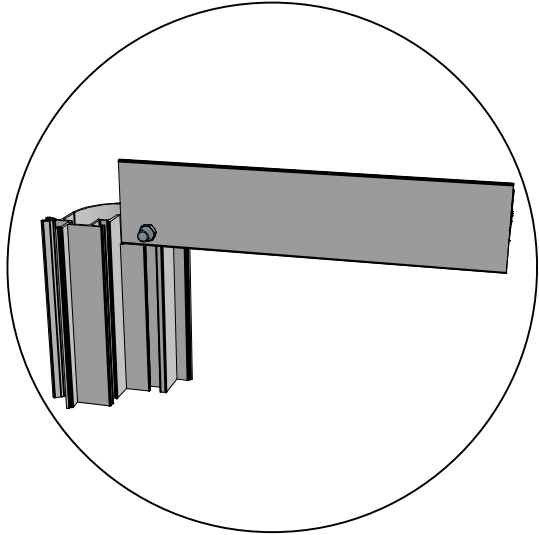
 = M6x12 (8x)

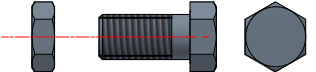


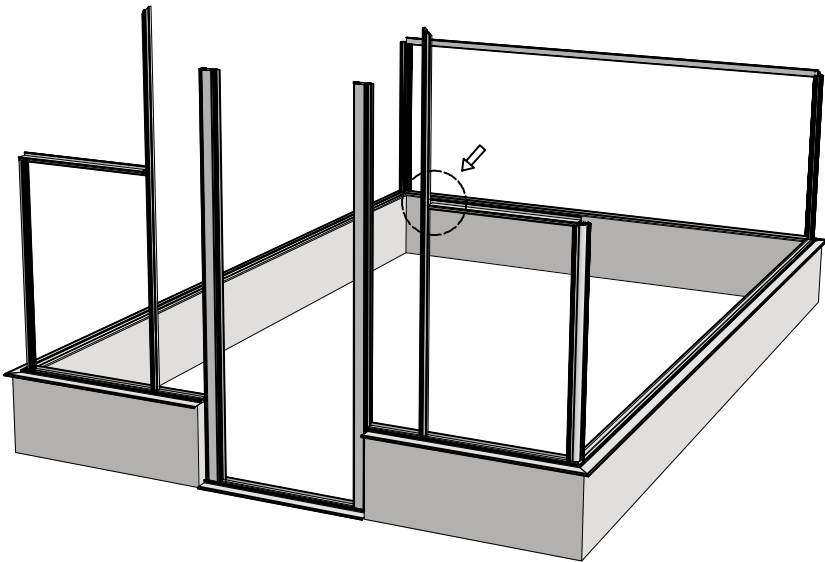
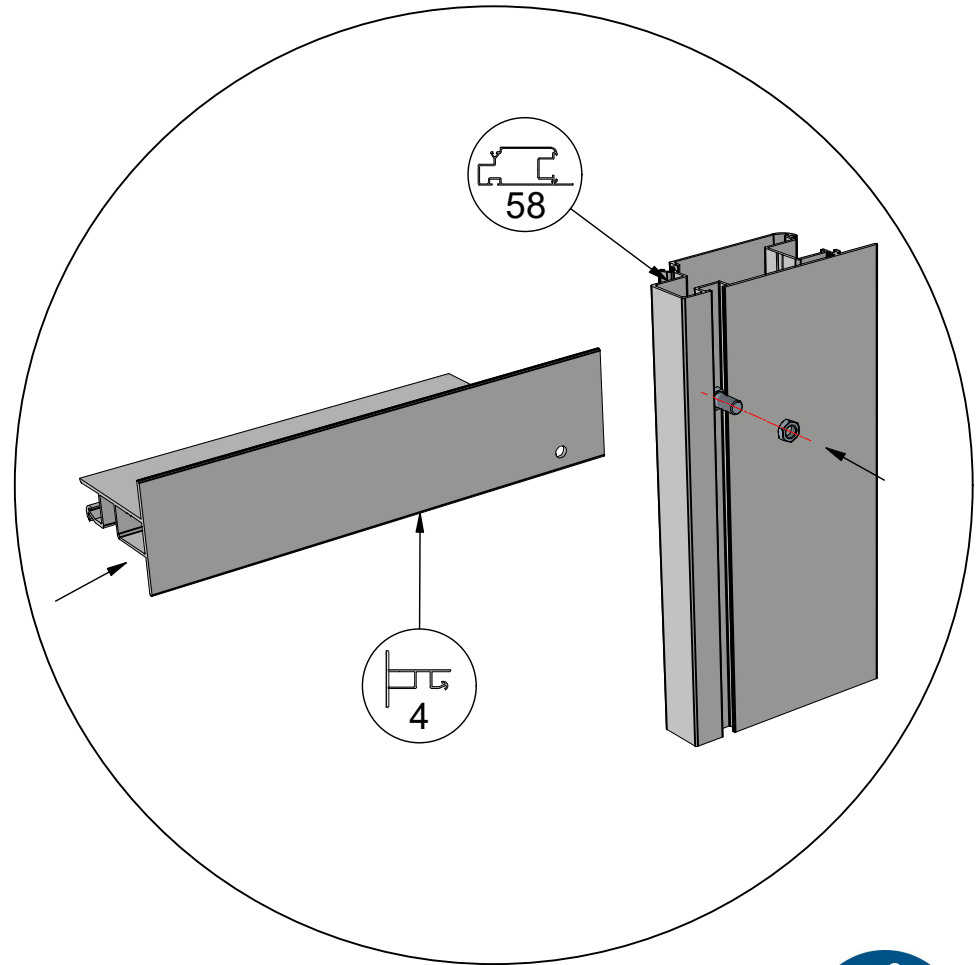
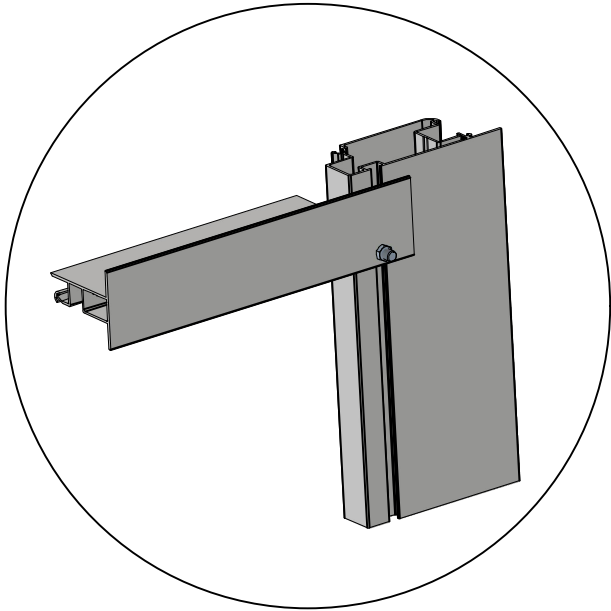
 = M6x12



 = M6x12

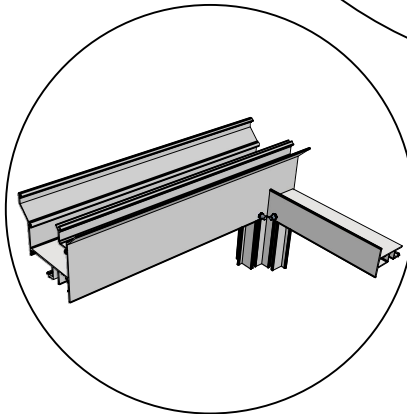
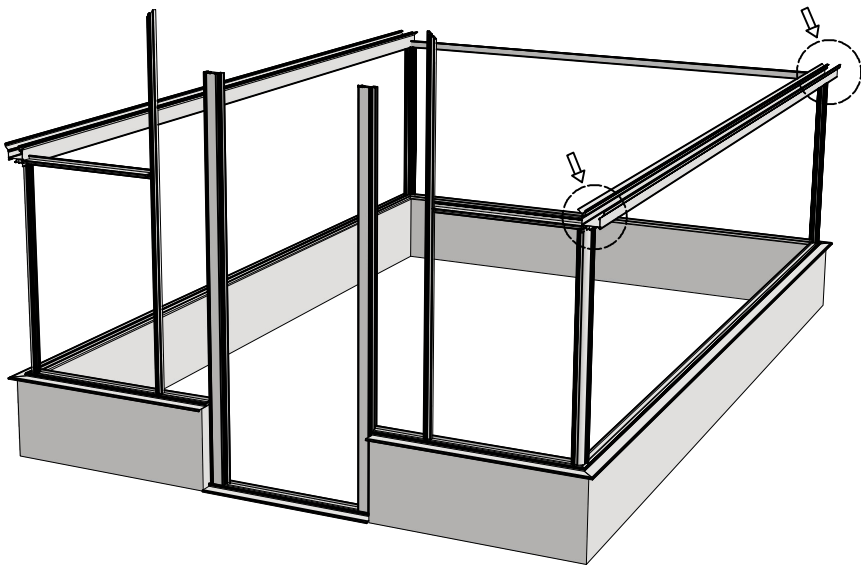
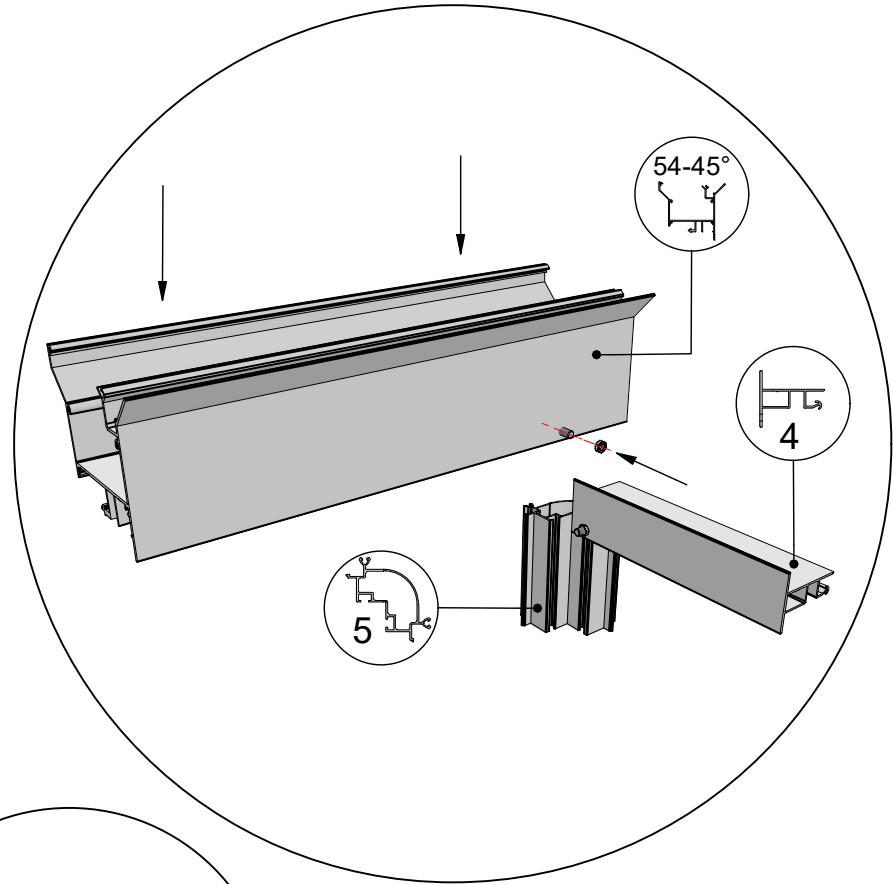
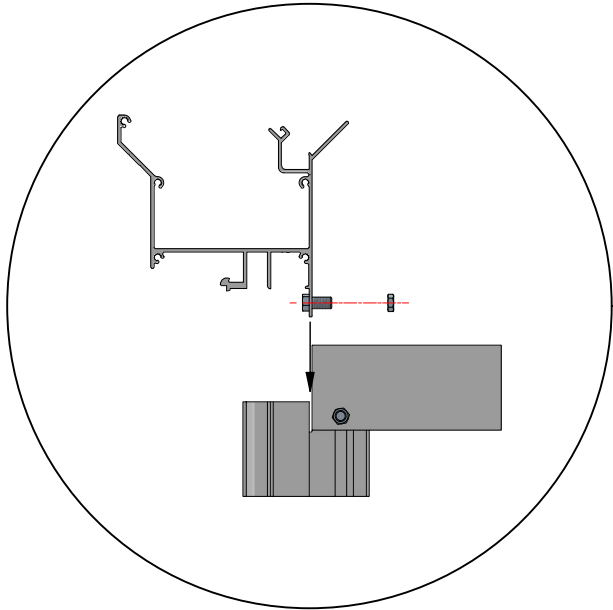


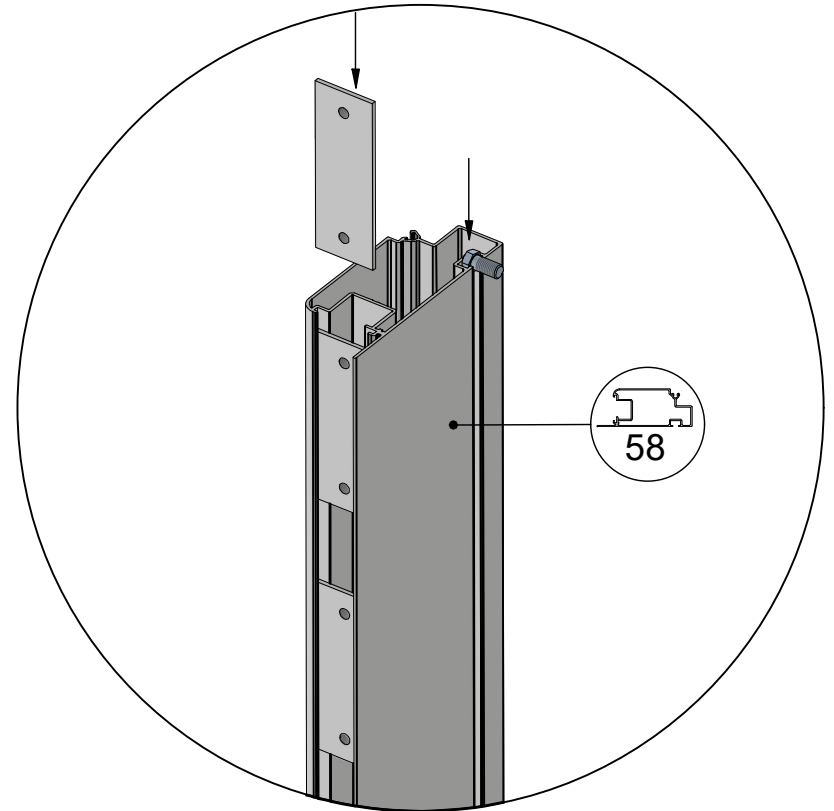
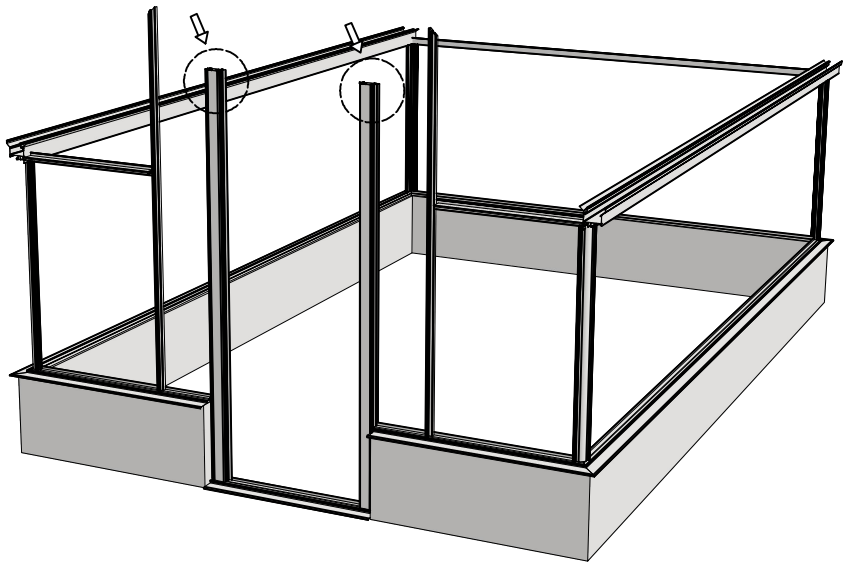
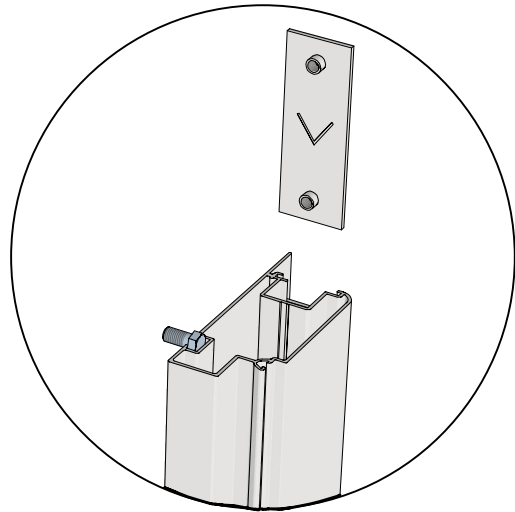
 = M6x12




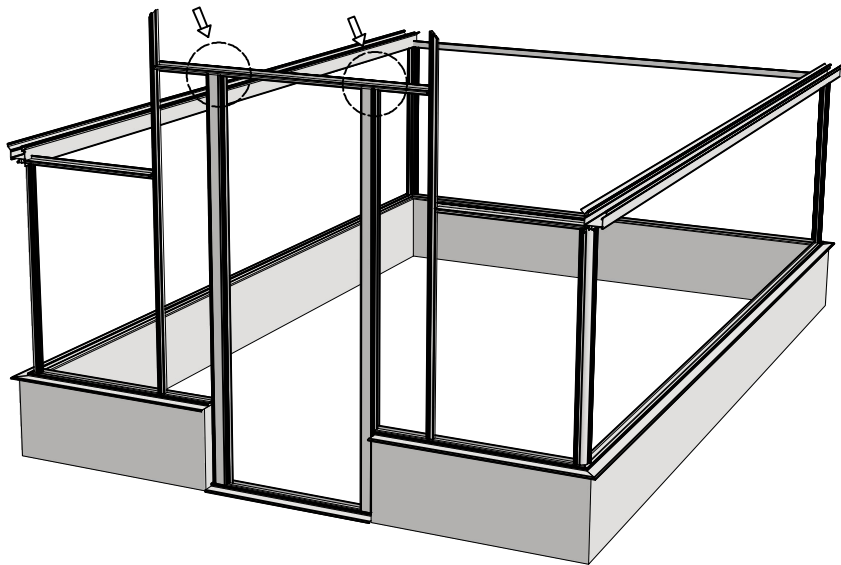
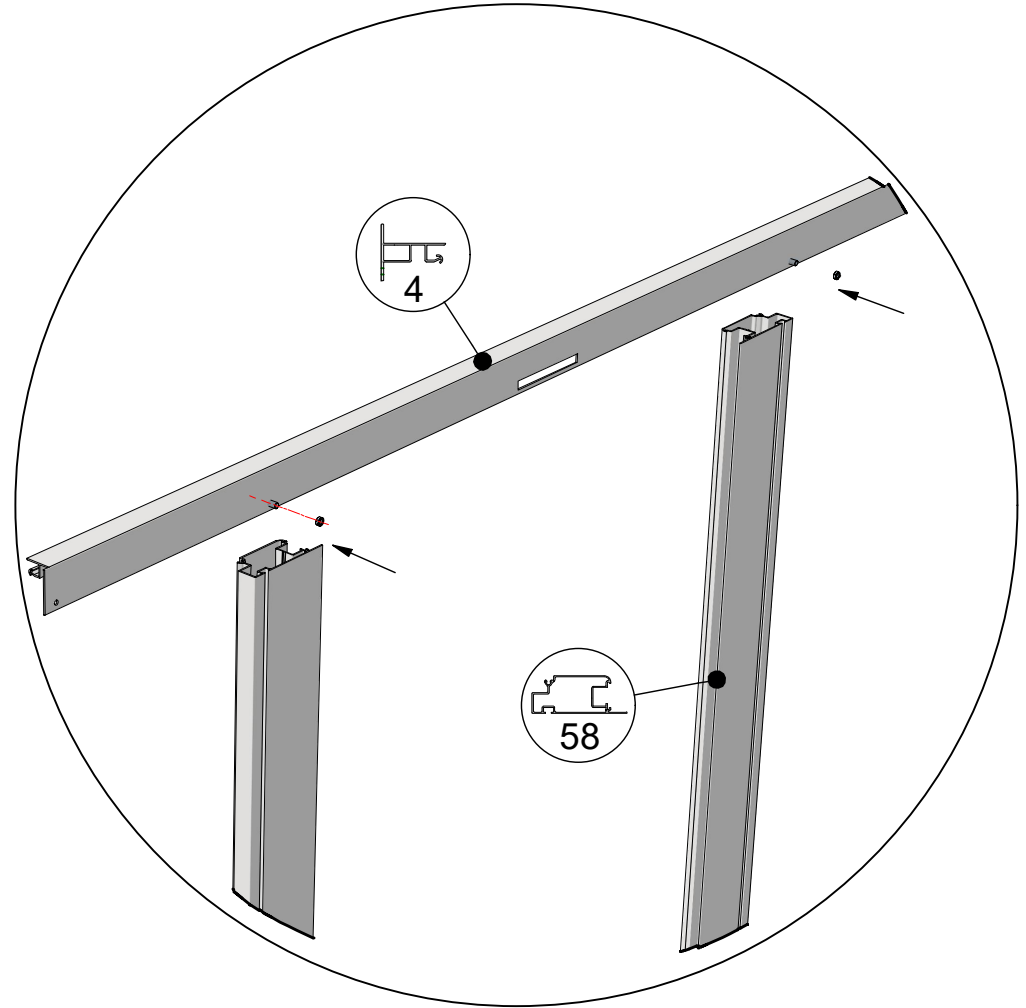
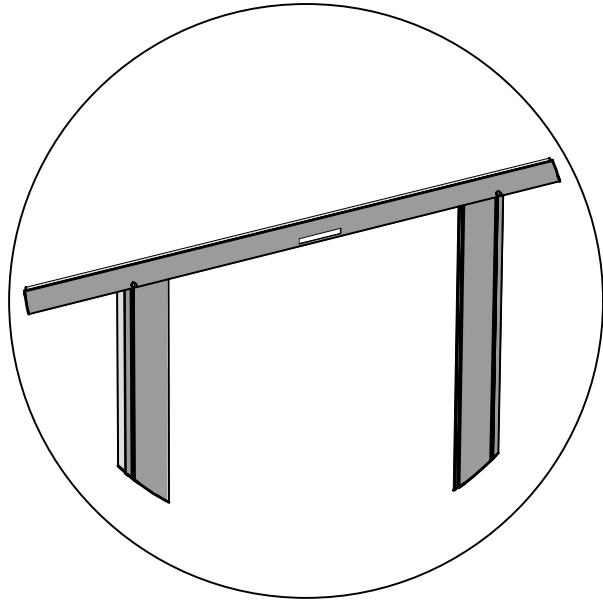


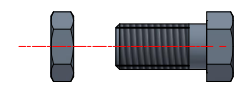
 = M6x12 (4x)

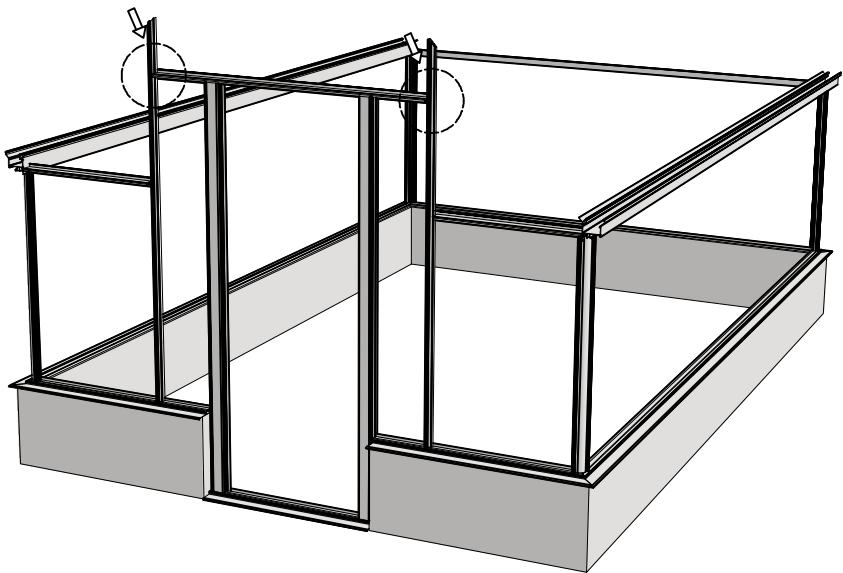
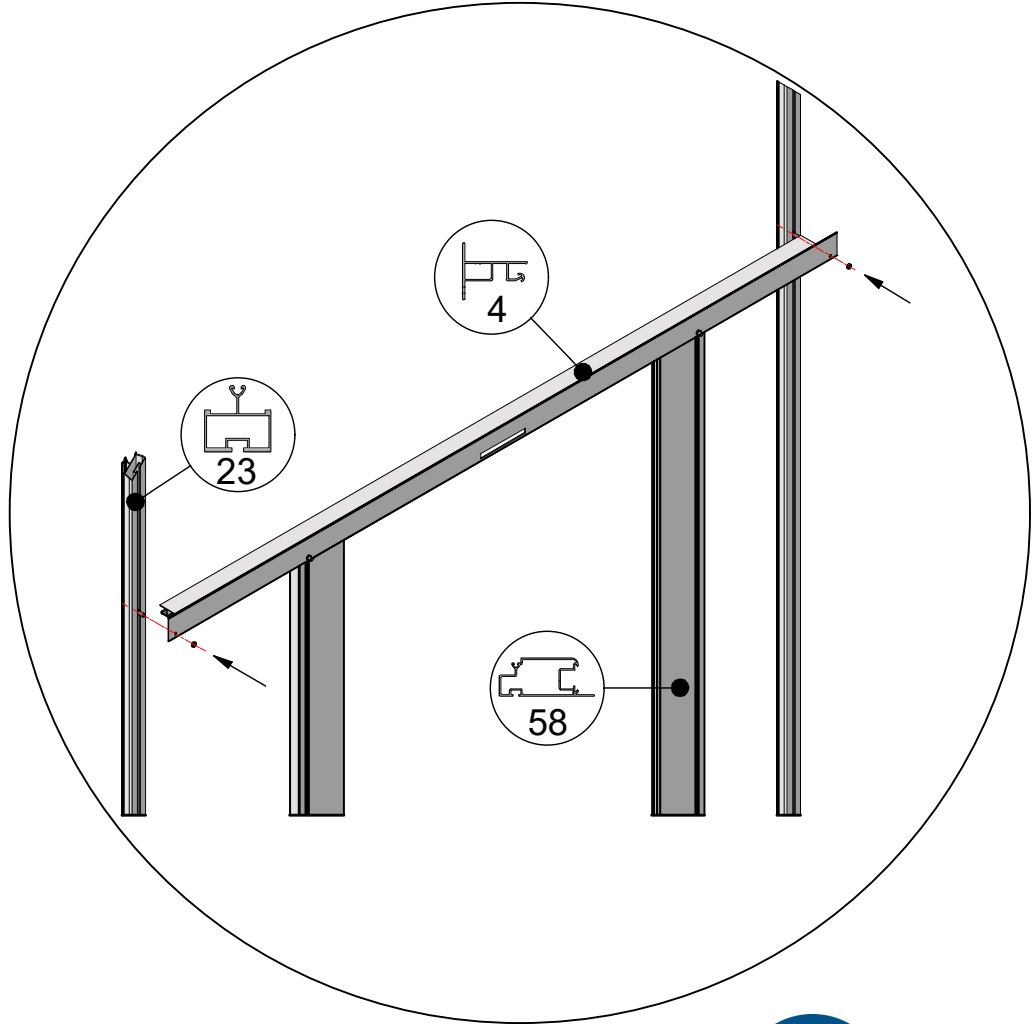
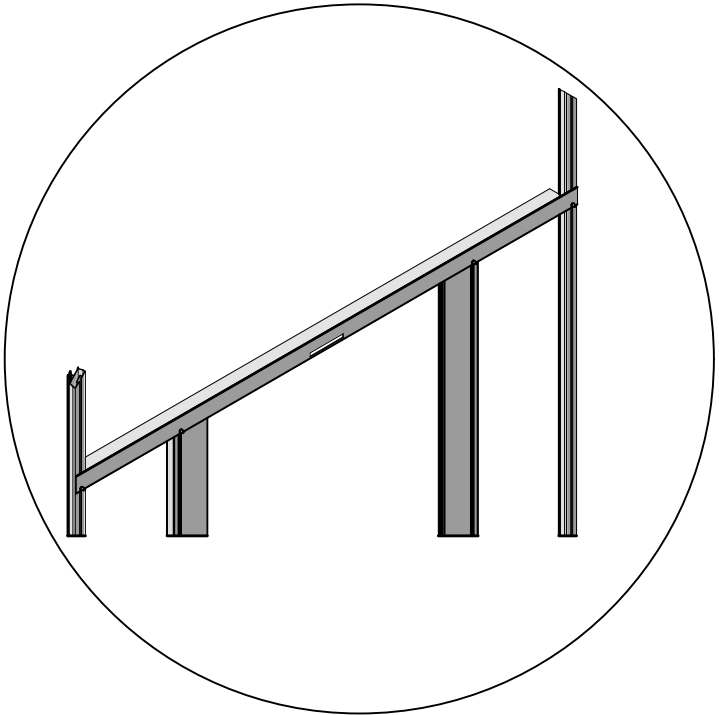


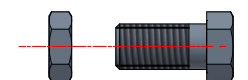


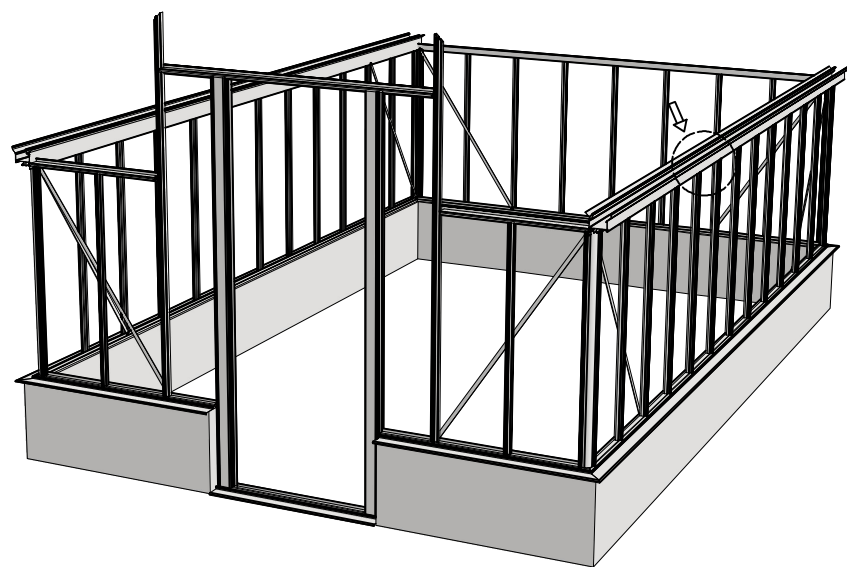
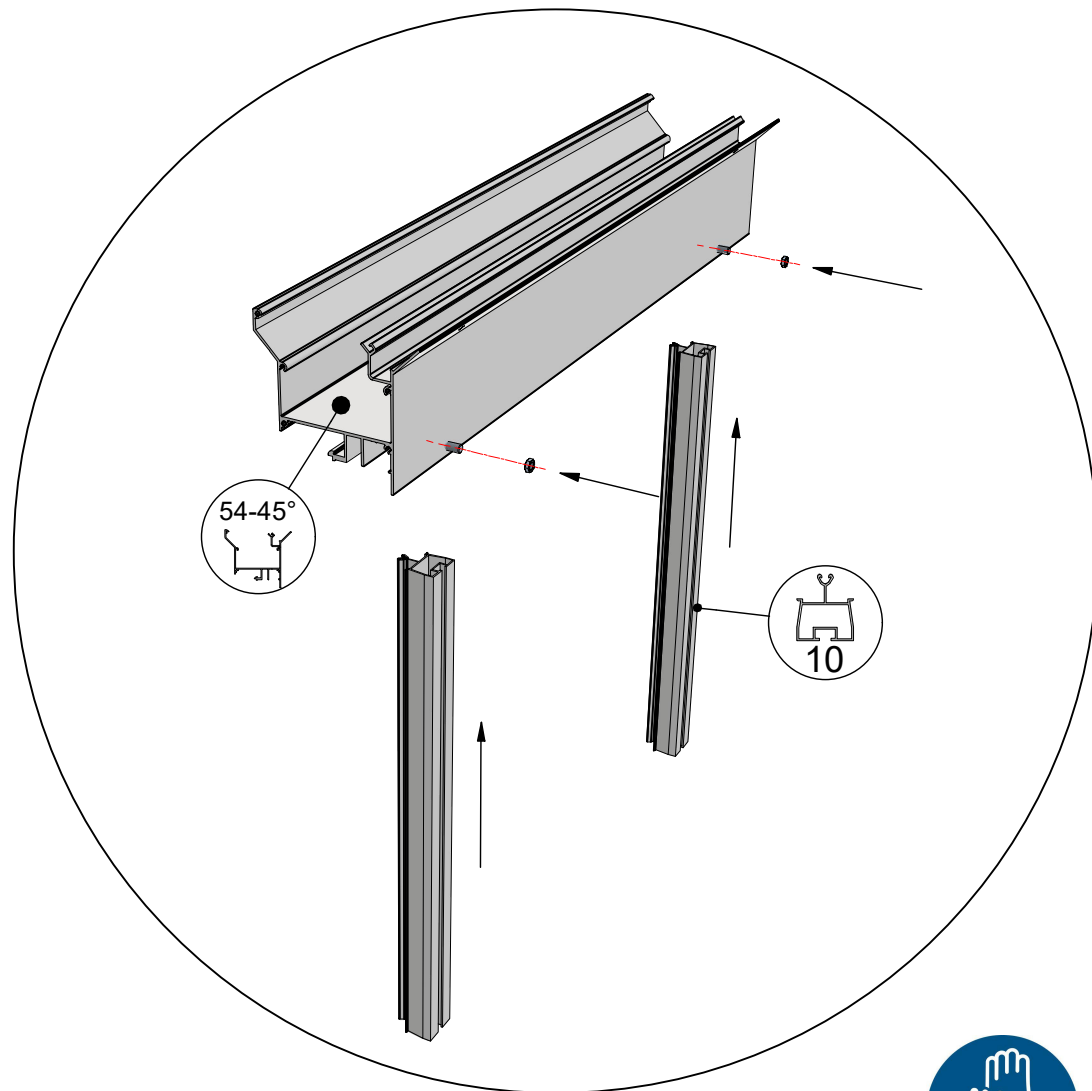
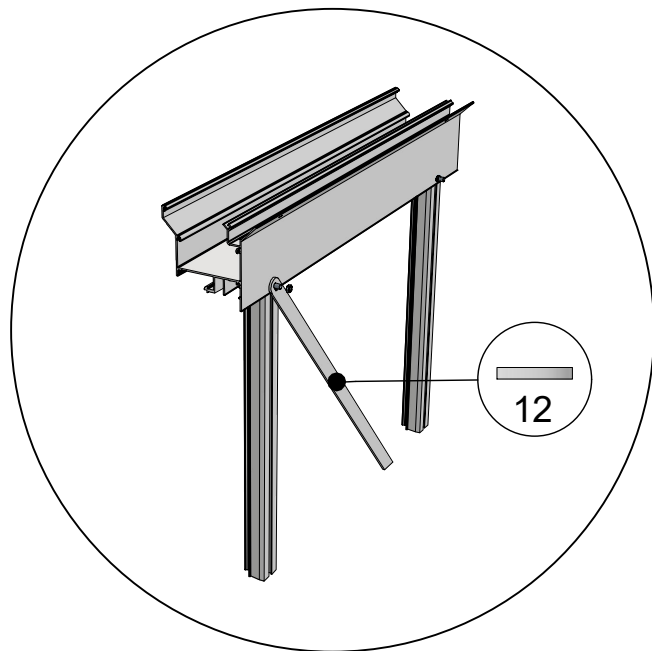
 = M6x12

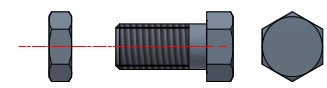


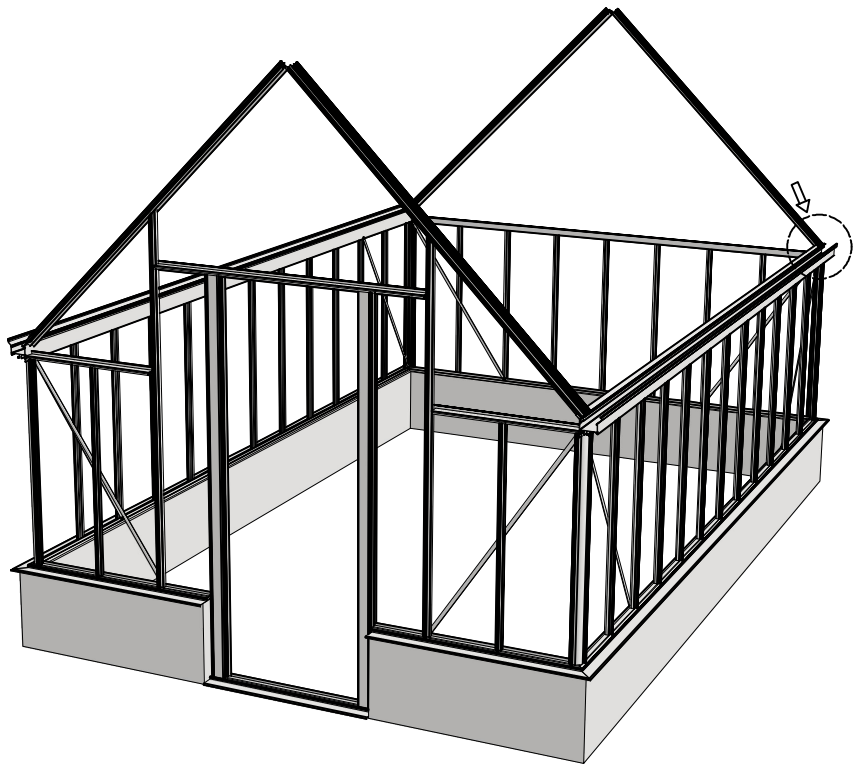
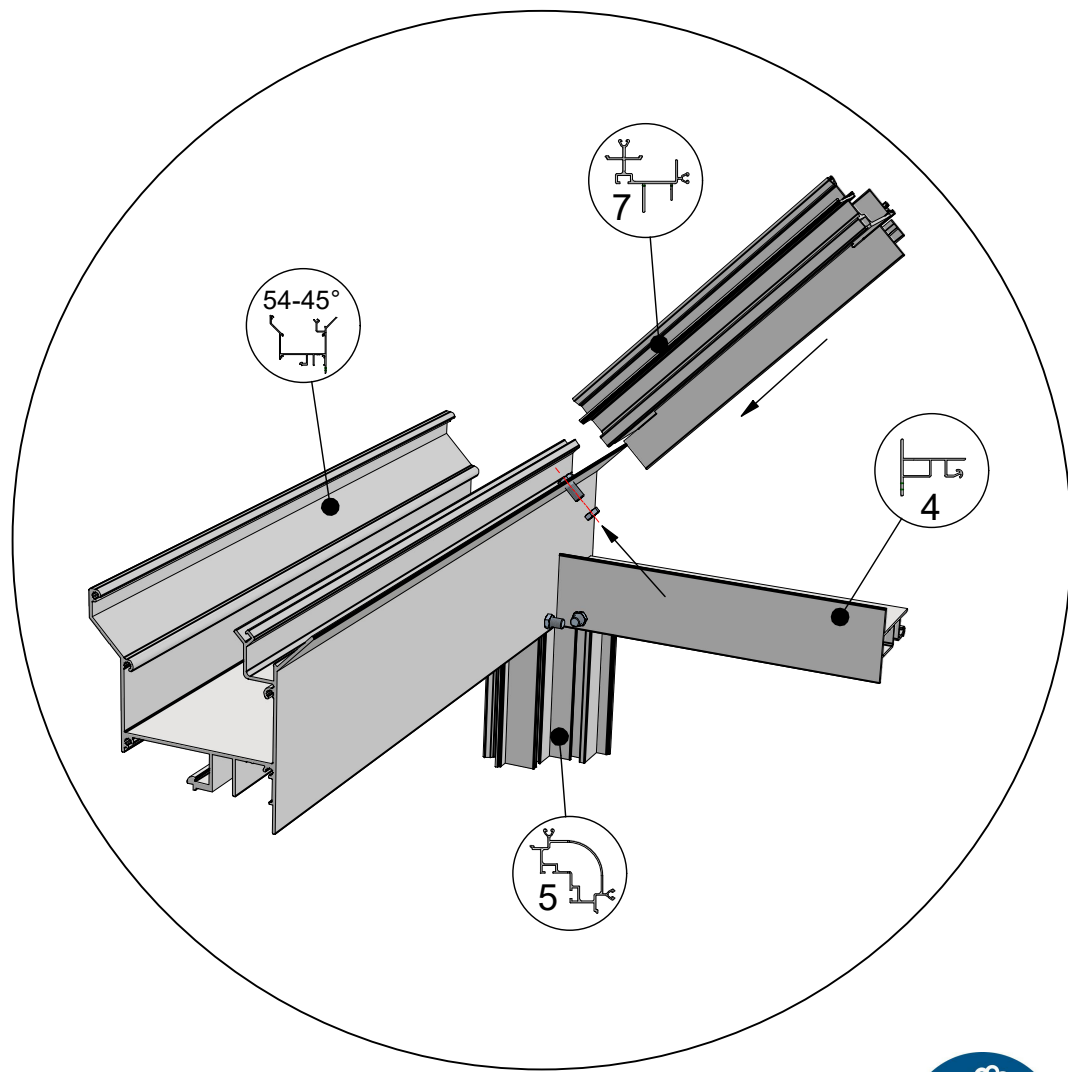
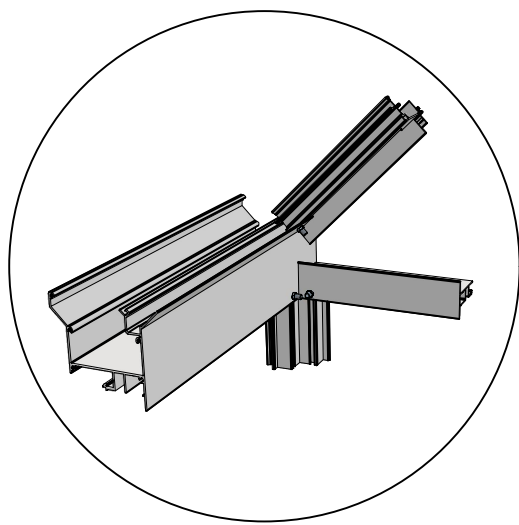
 = M6x12




 = M6x12

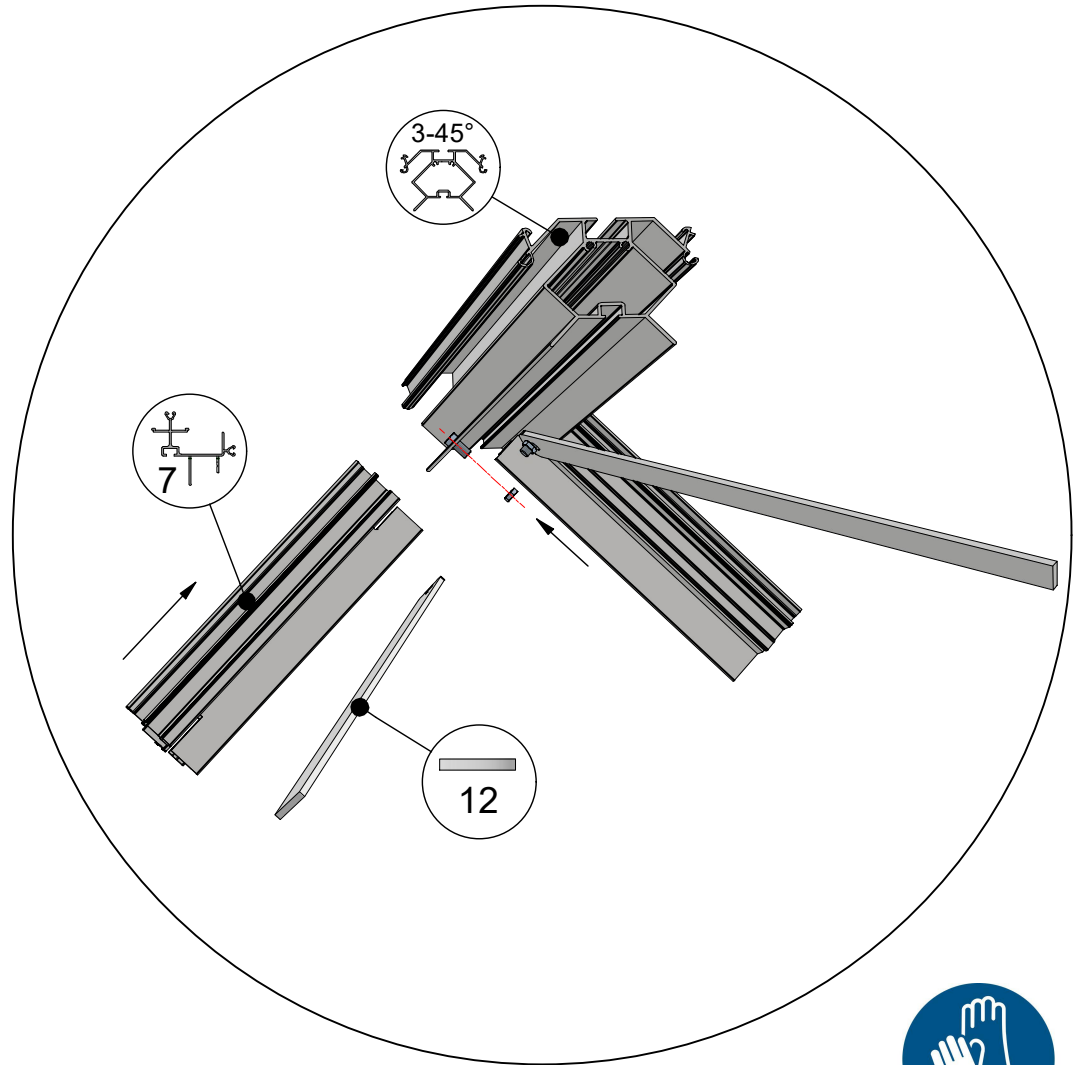
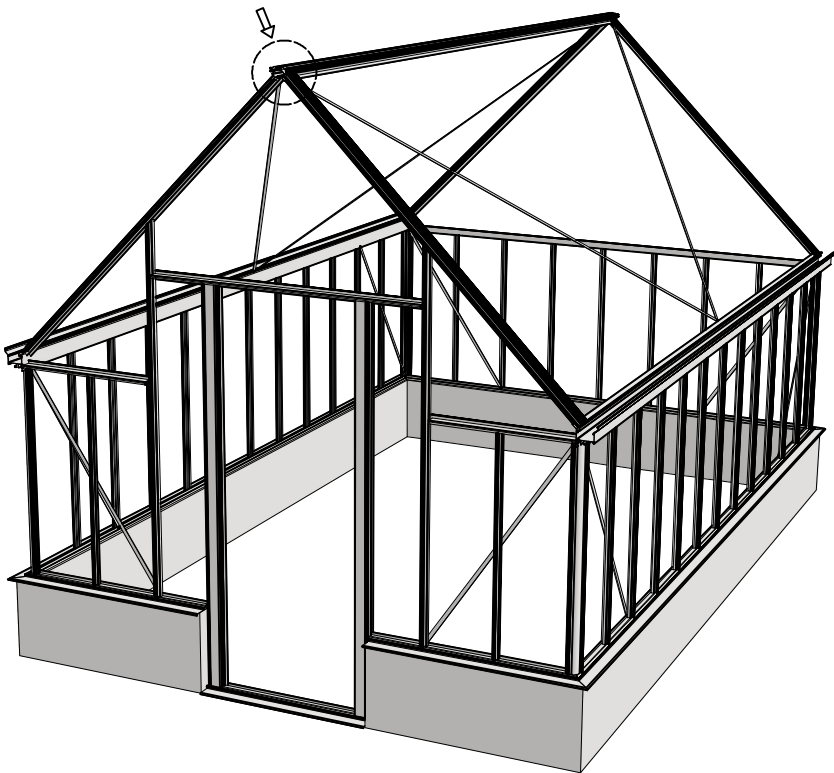
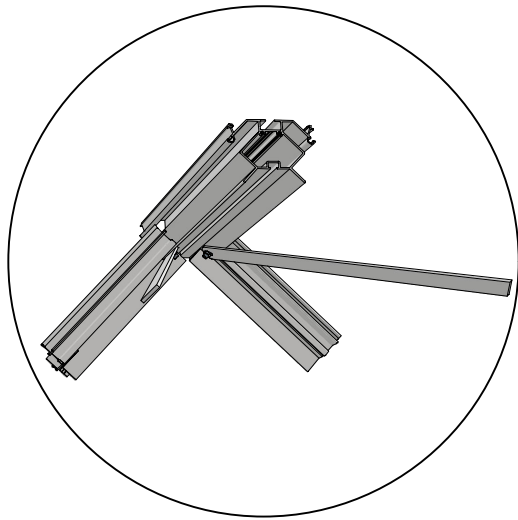


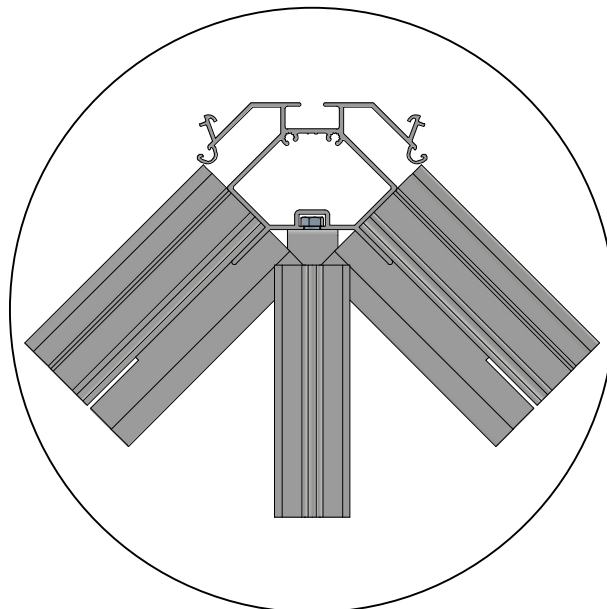
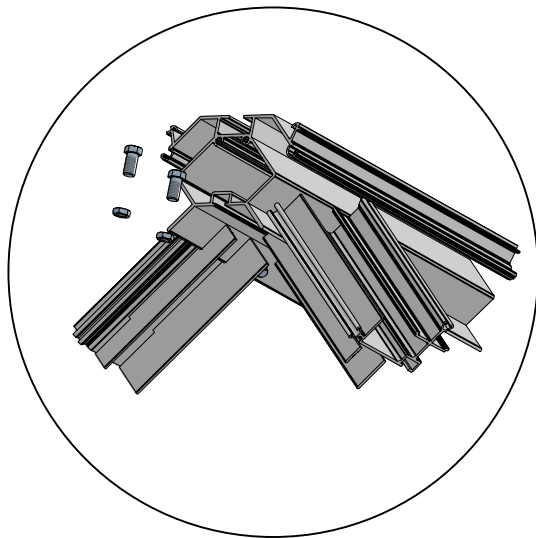
 = M6x12


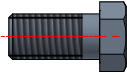



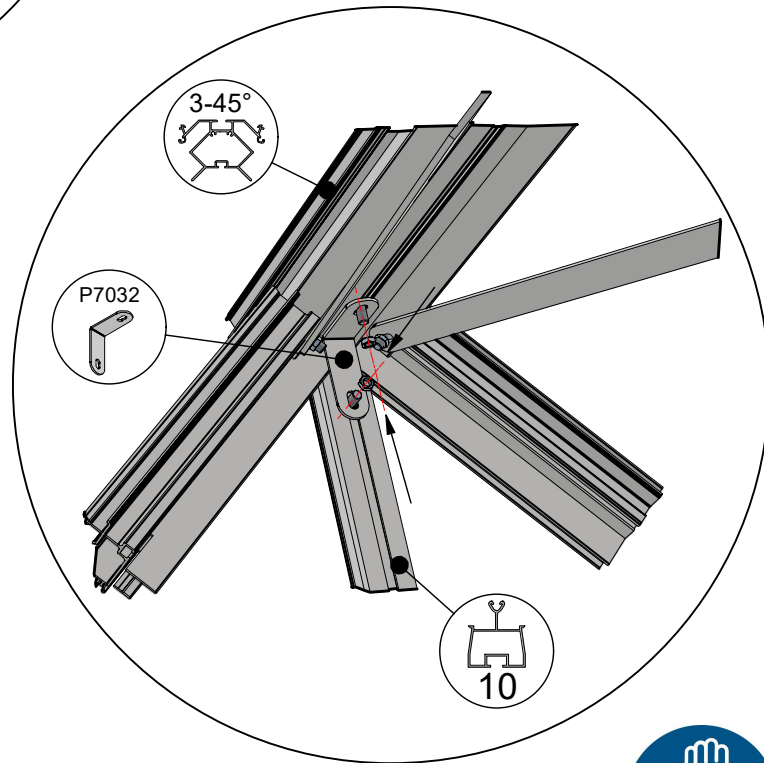
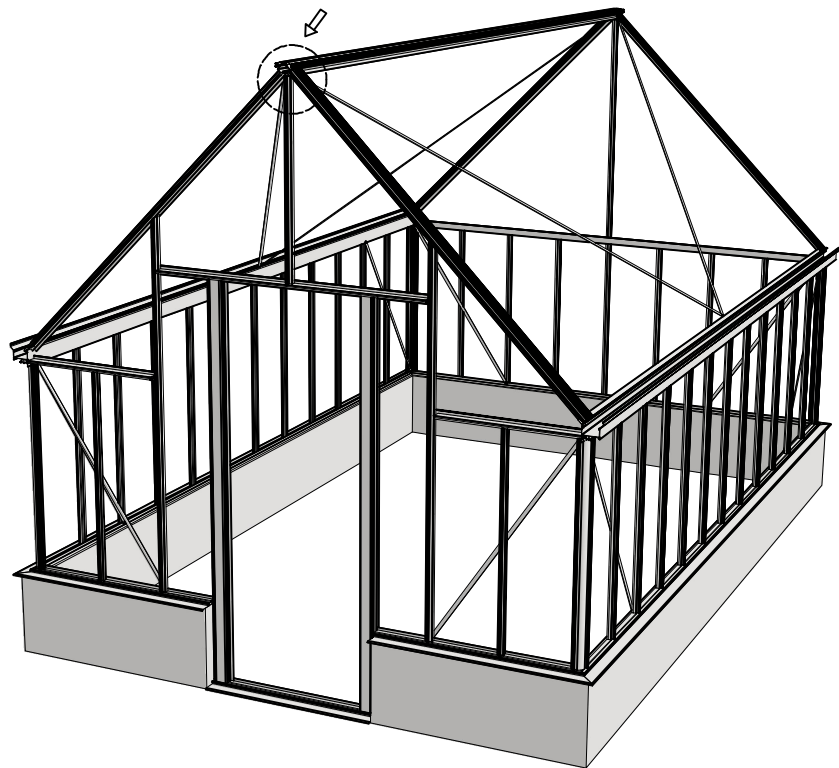


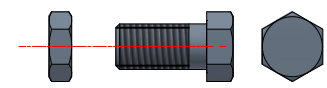
 = M6x12

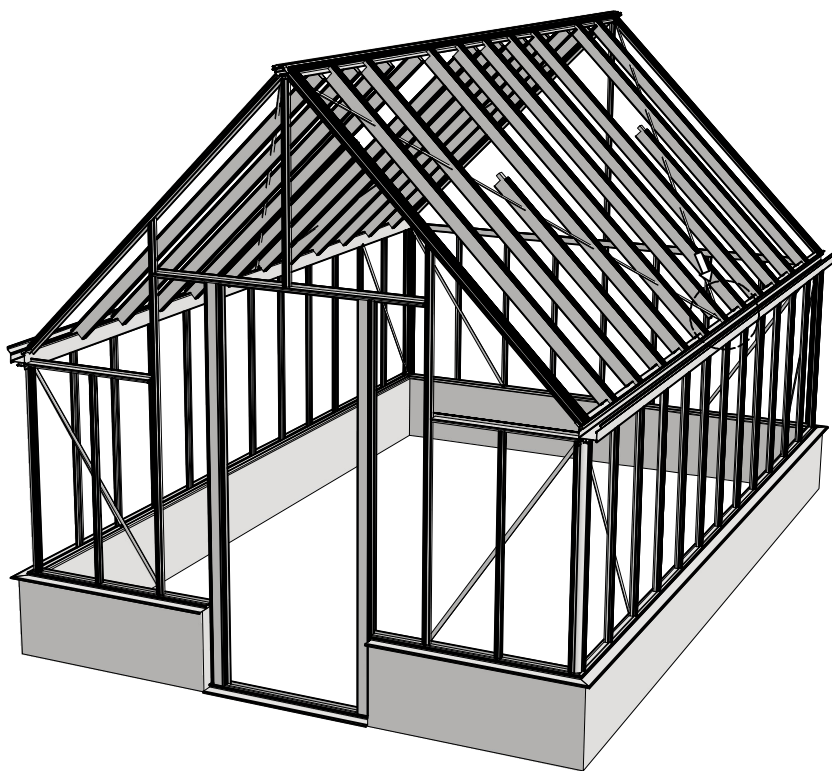
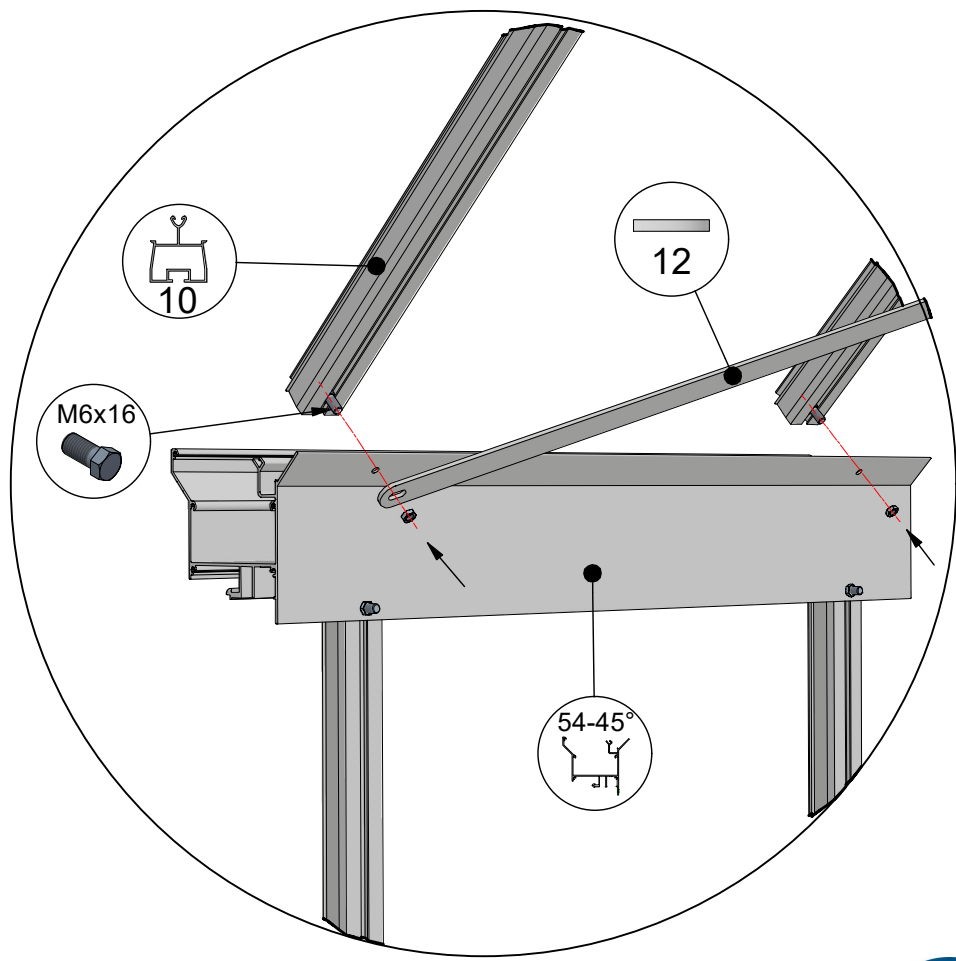
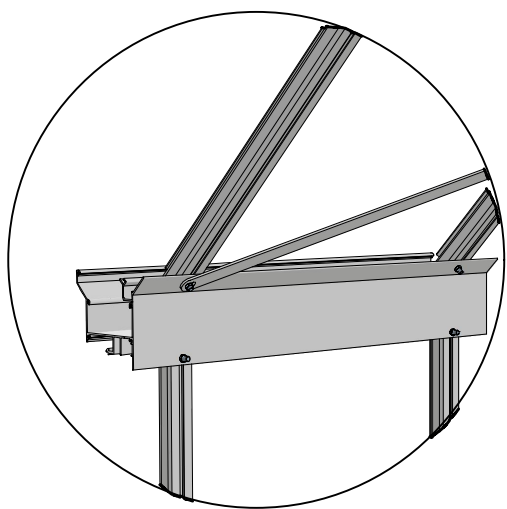





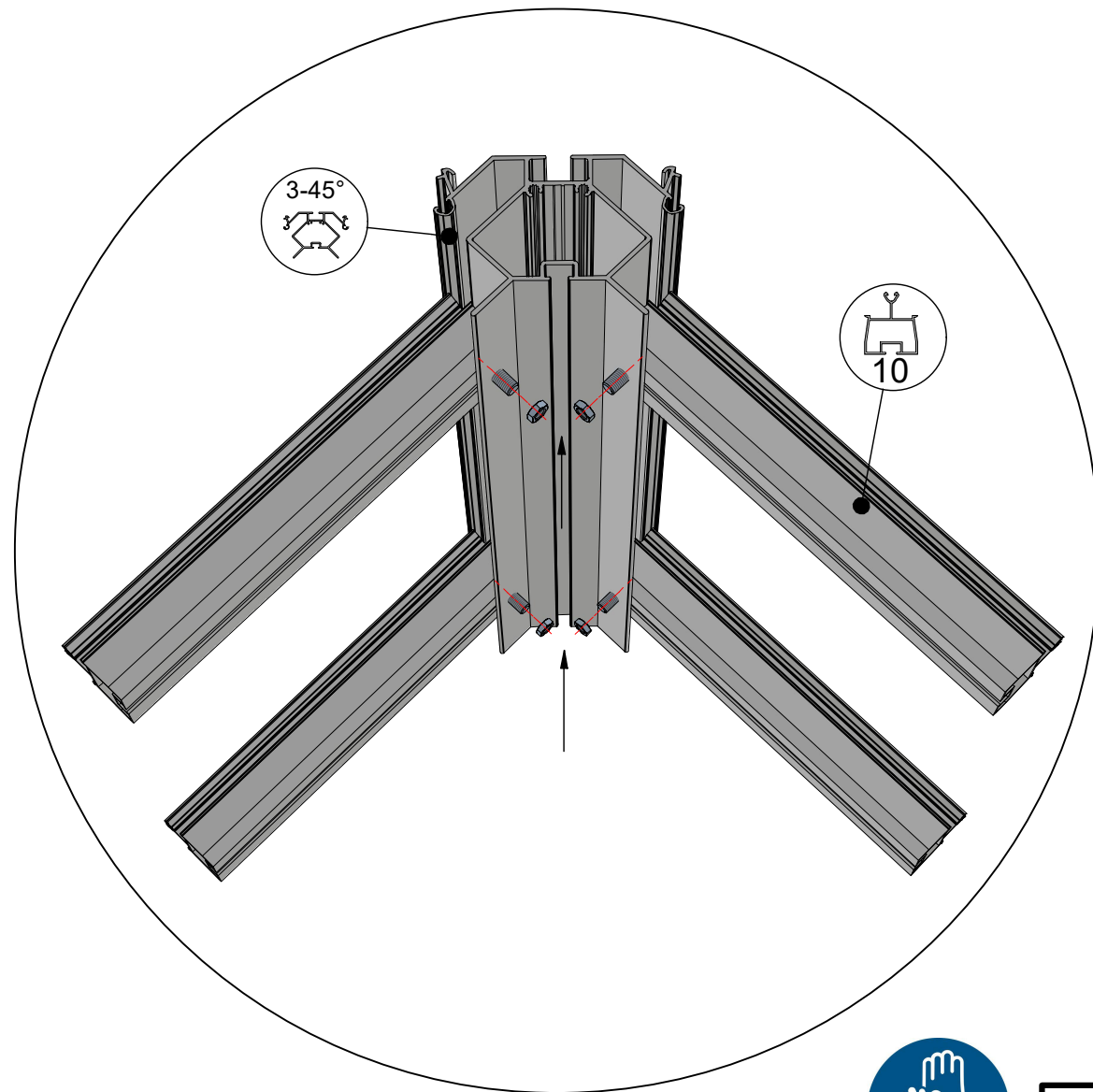
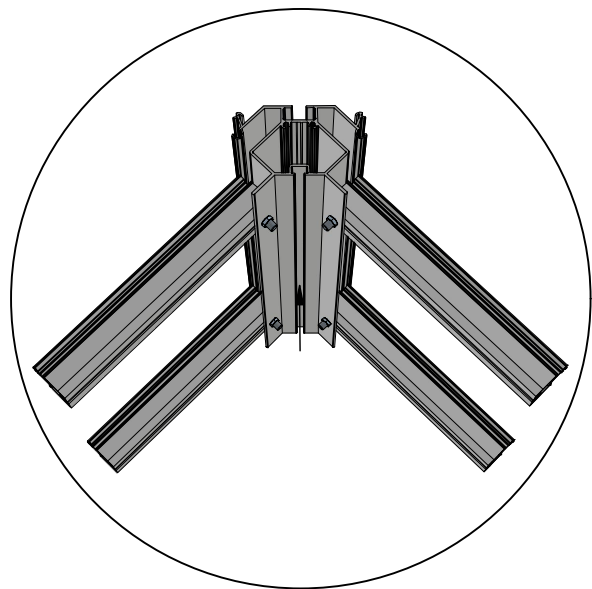
   = M6x12




 = M6x12

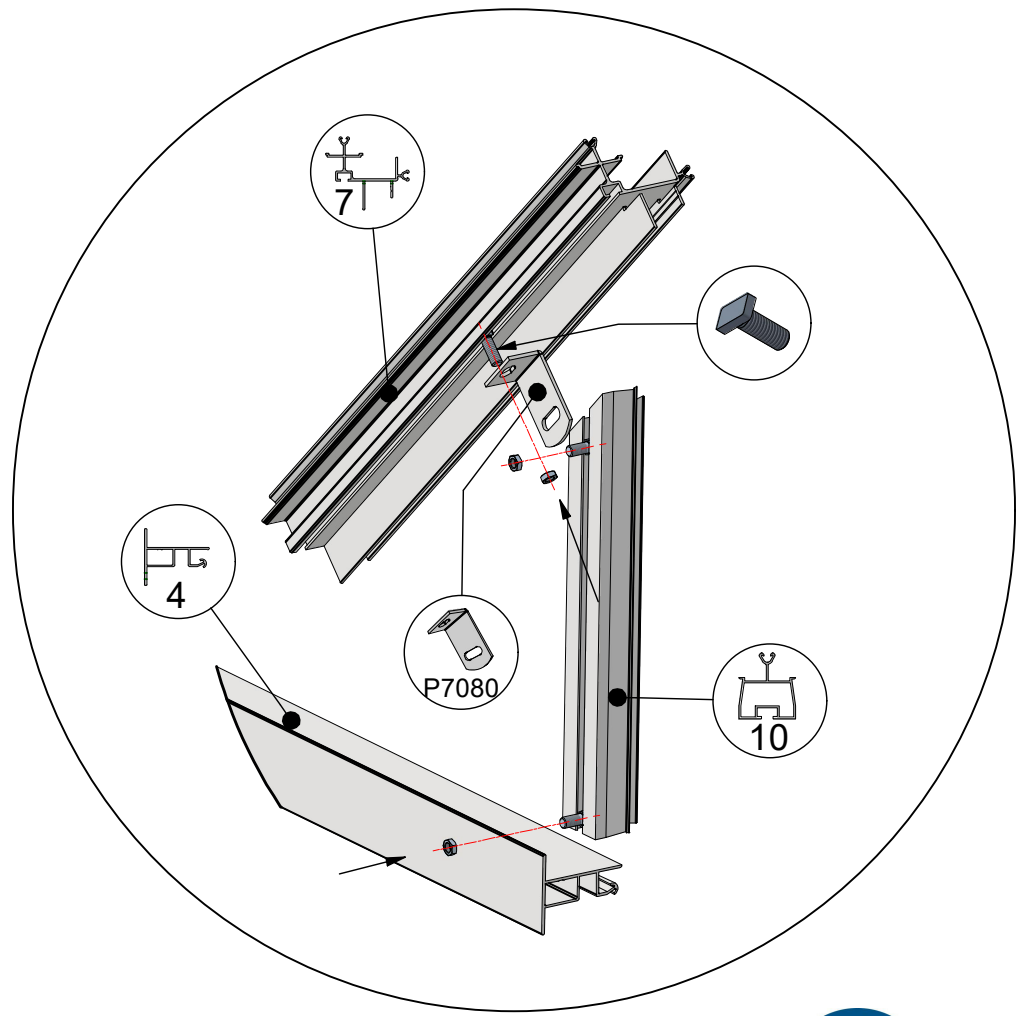
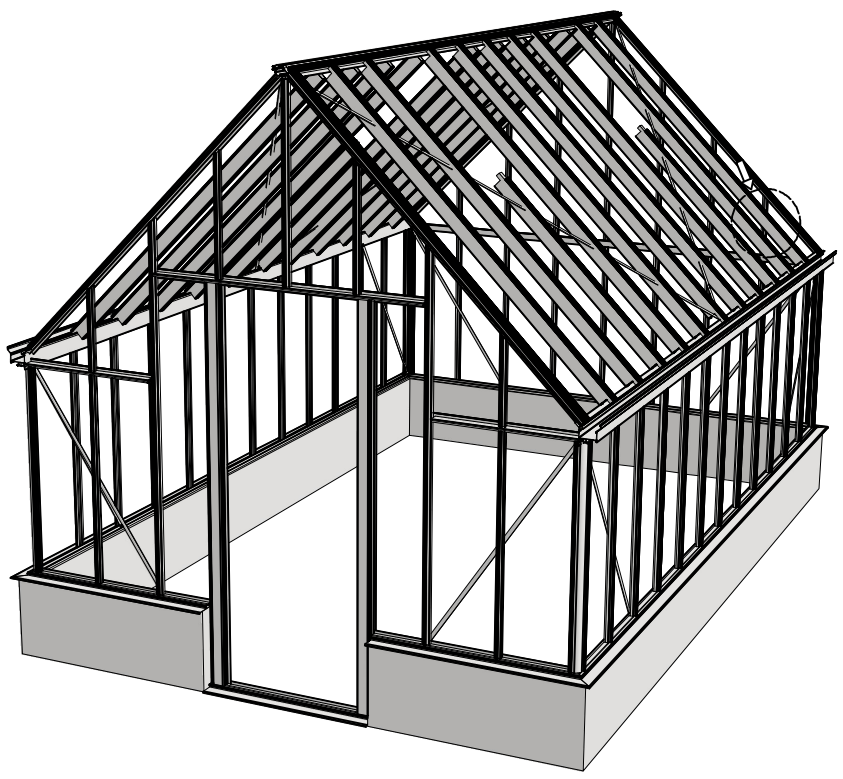
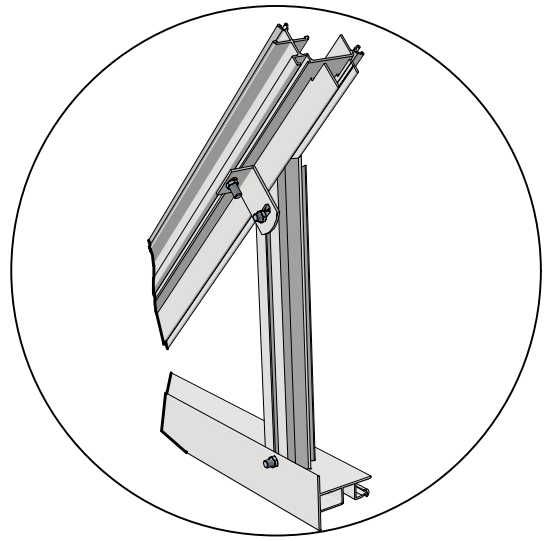



 = M6x12

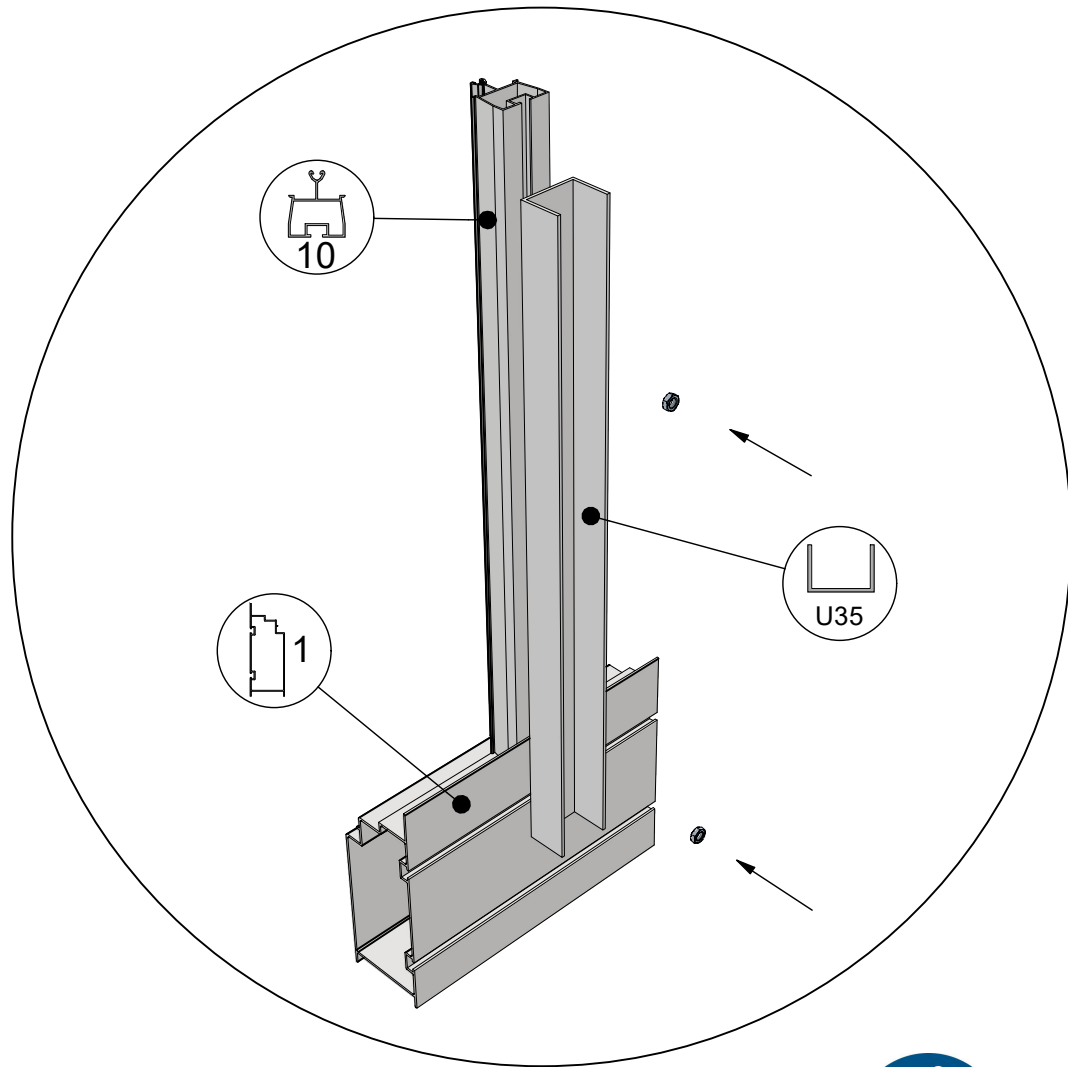
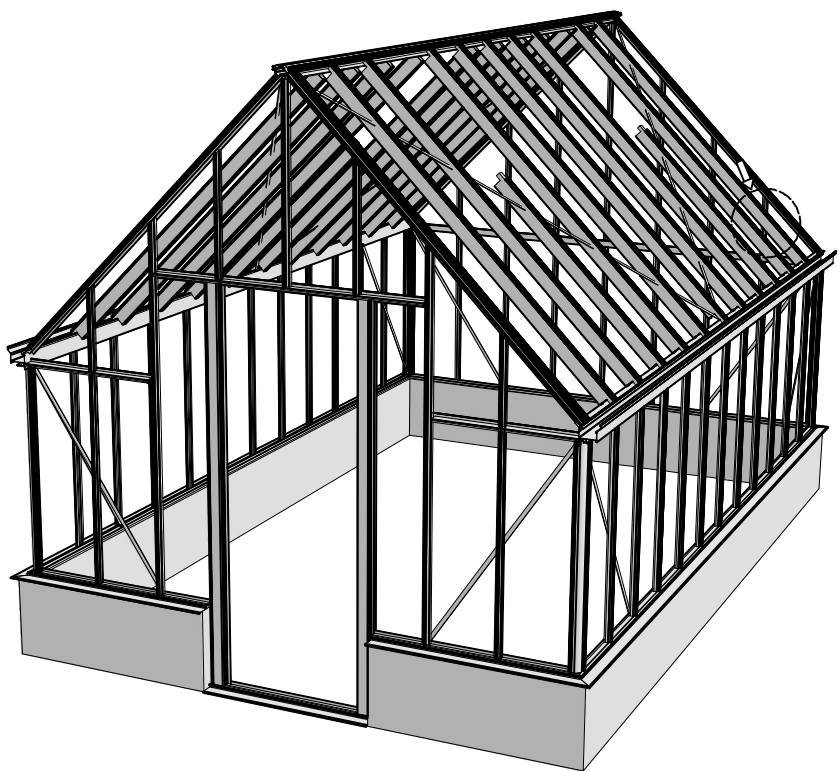
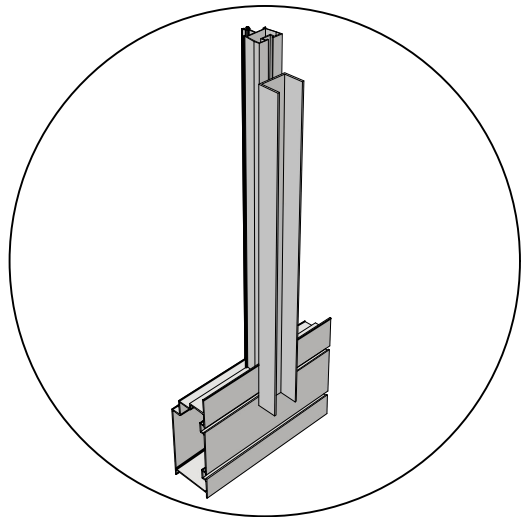




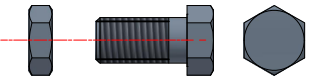
 = M6x16

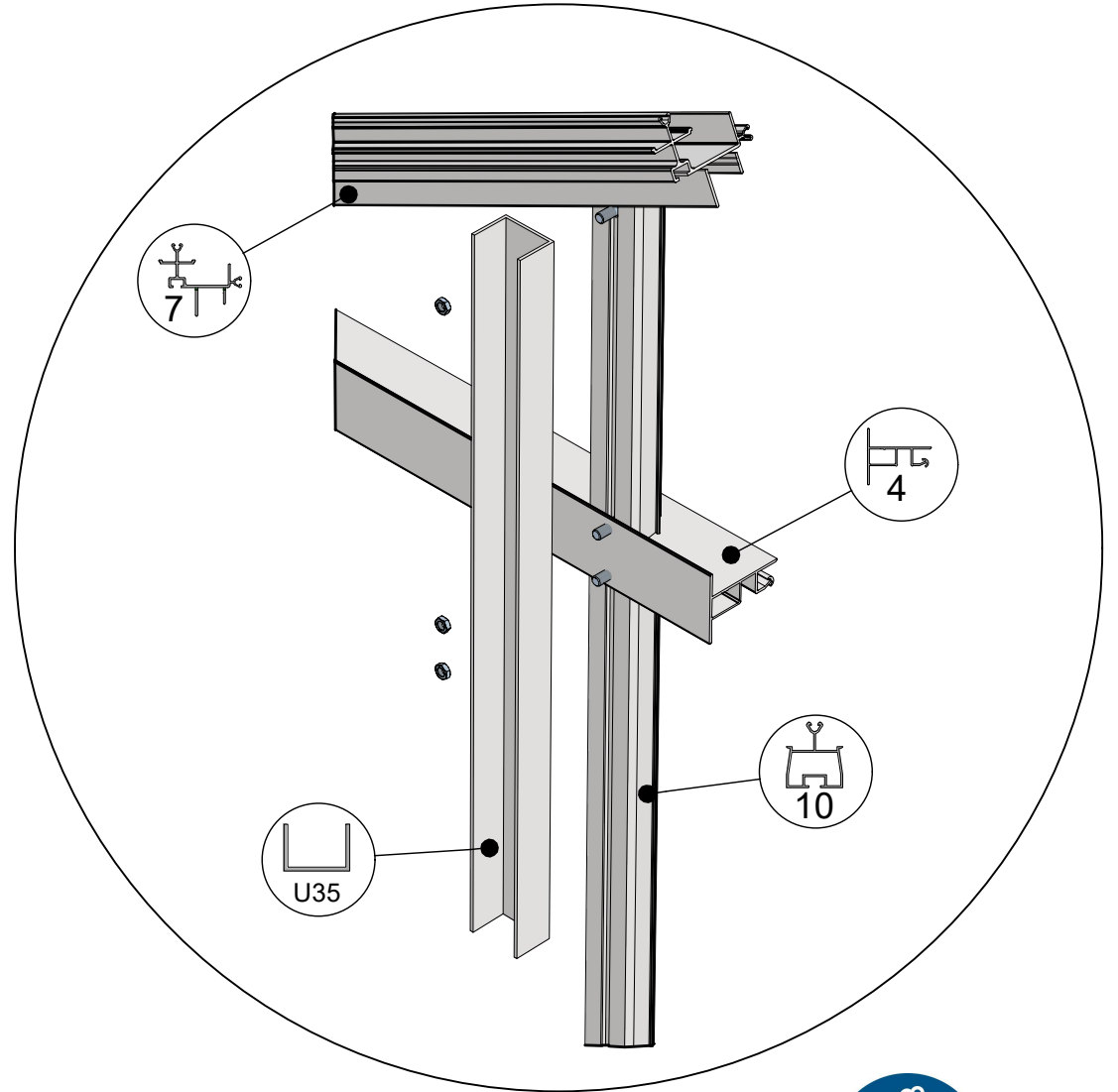
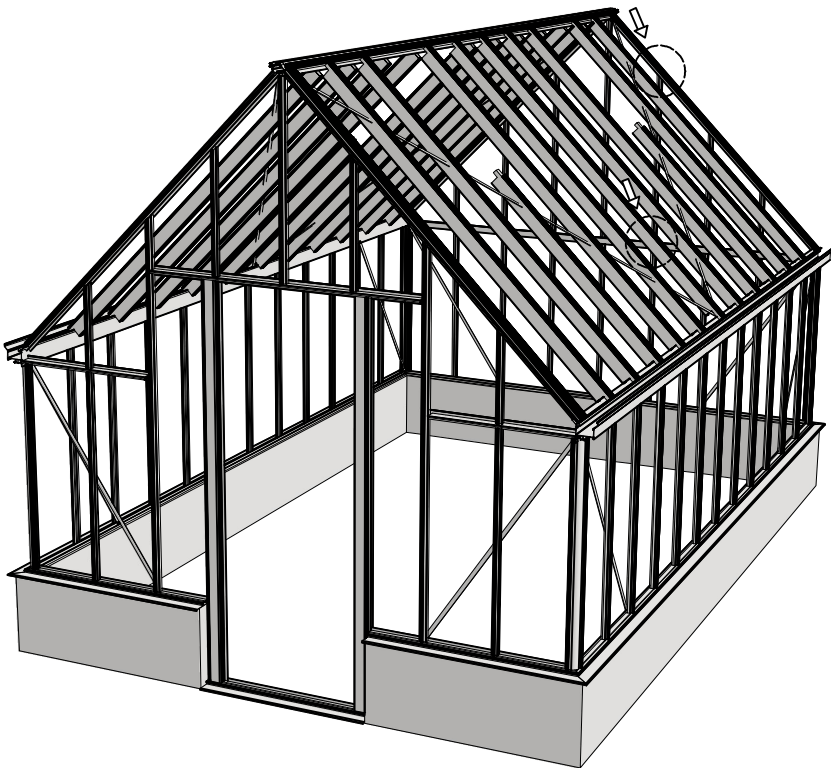



 = M6x12

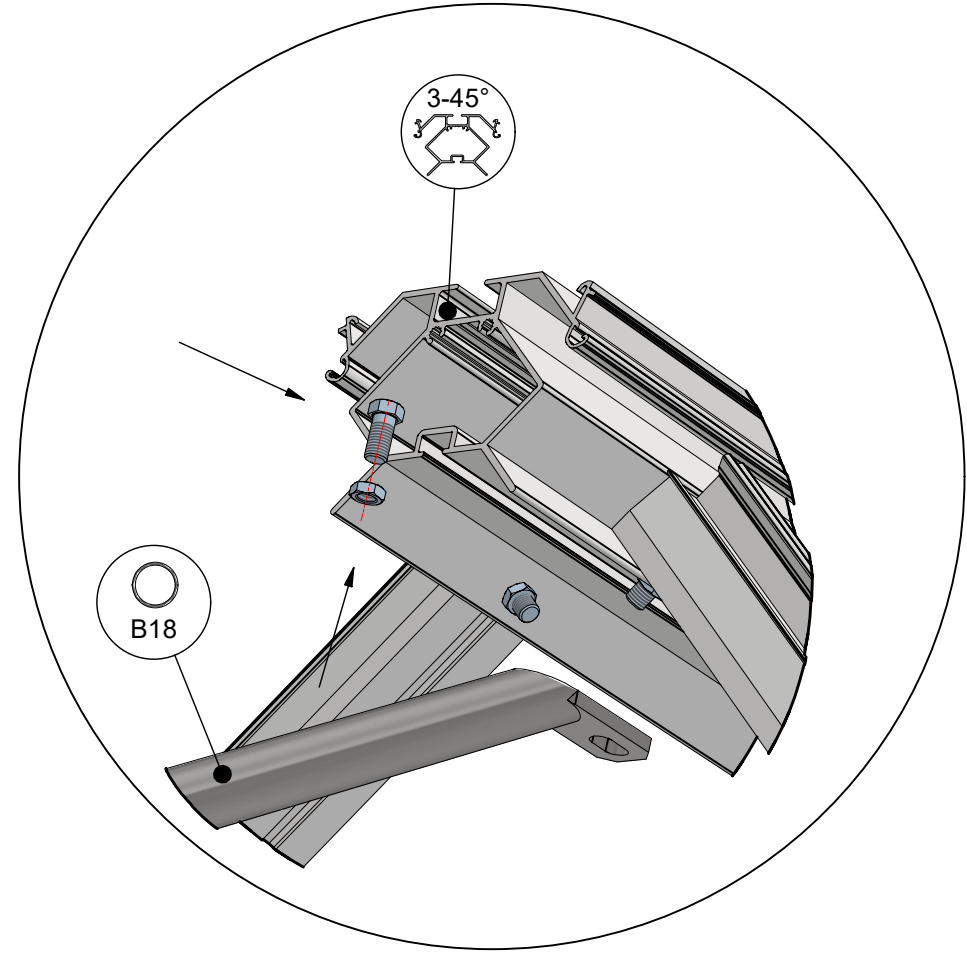
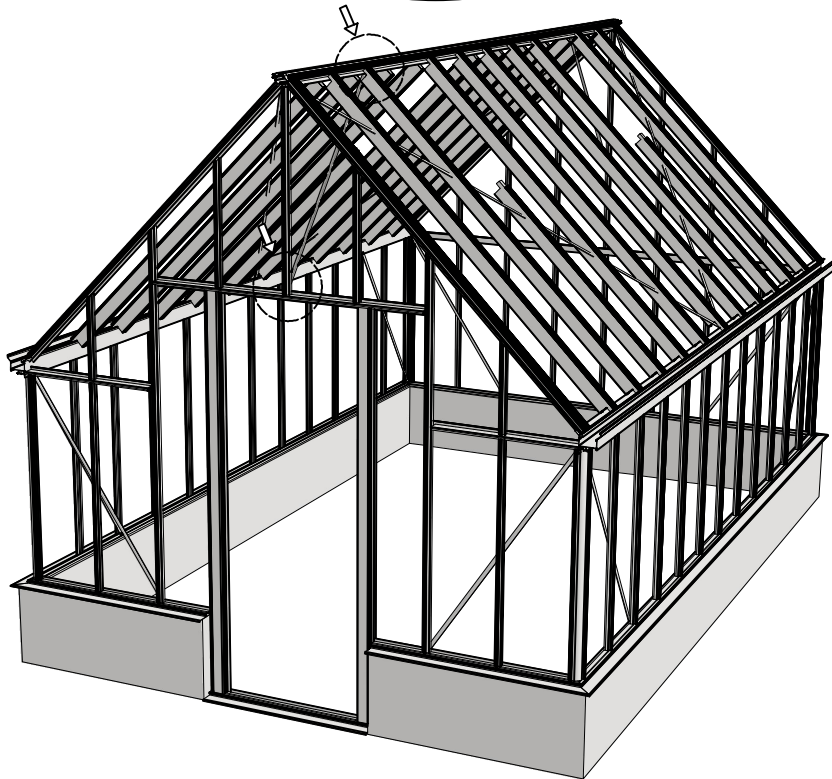
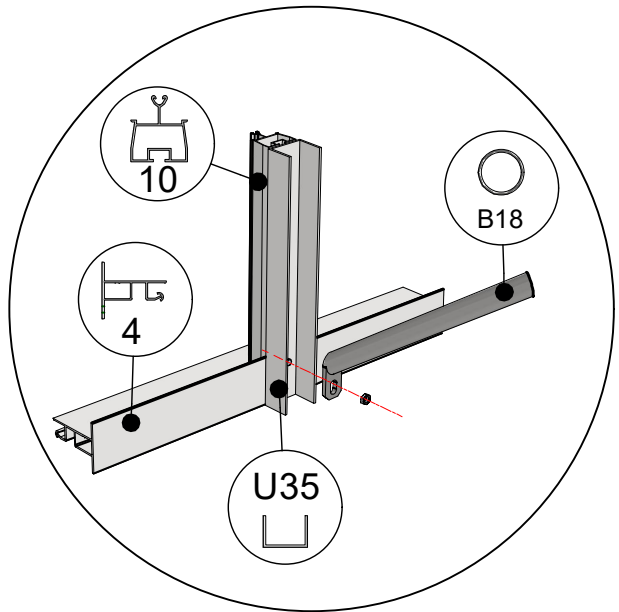


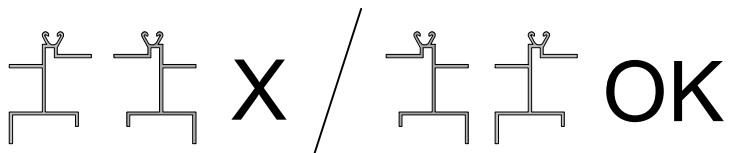
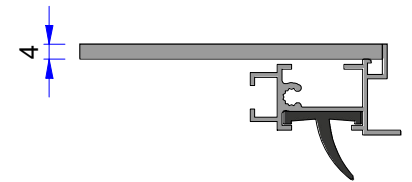
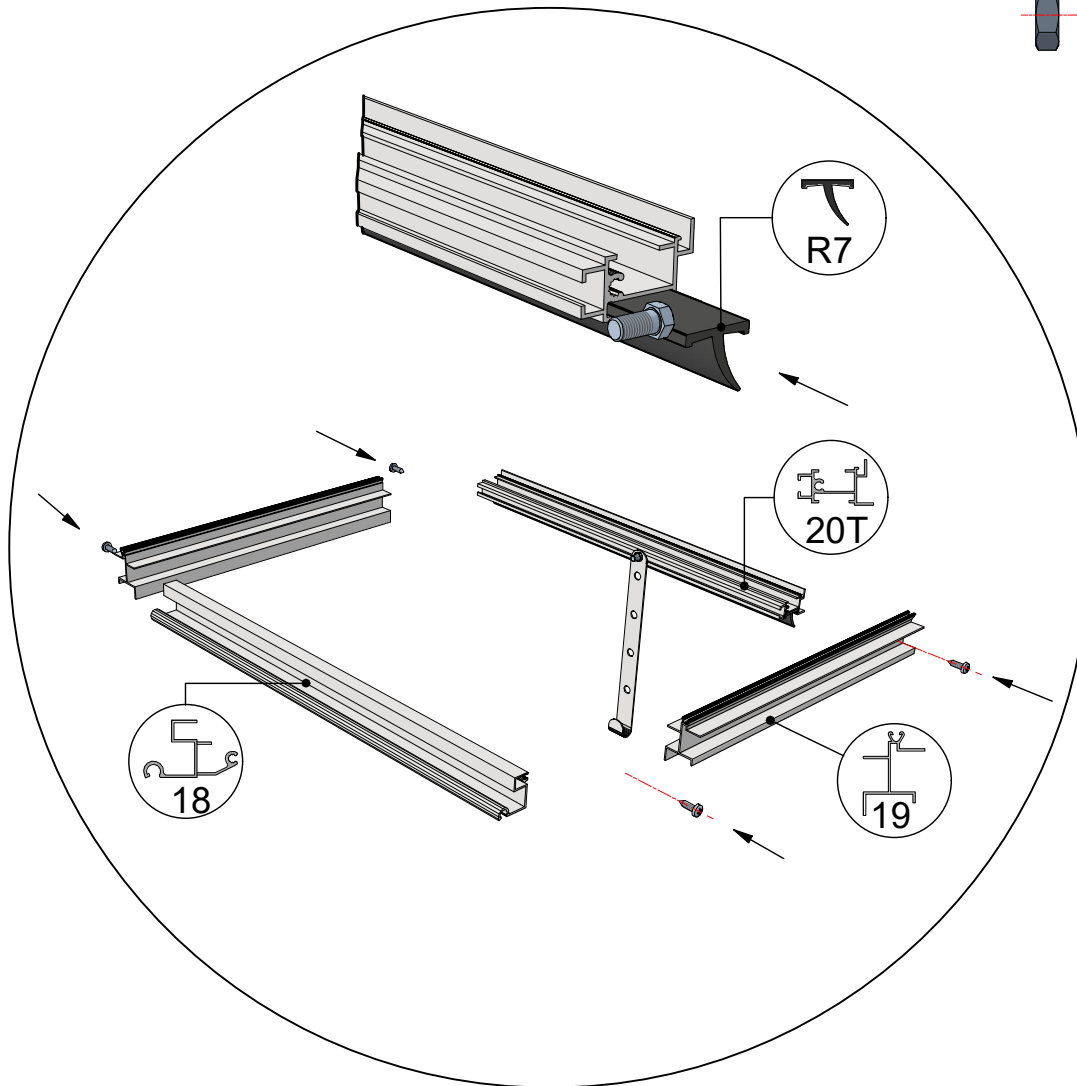
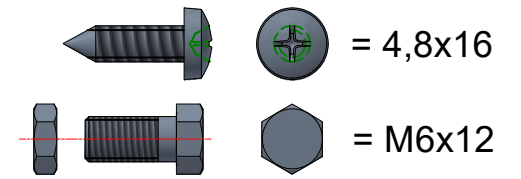
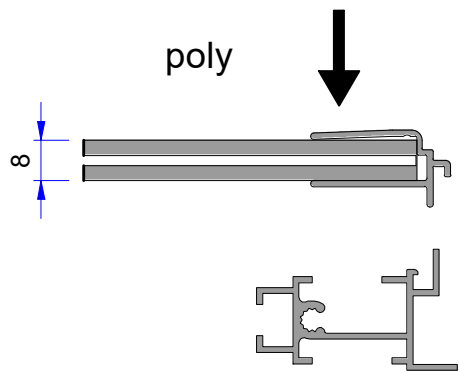


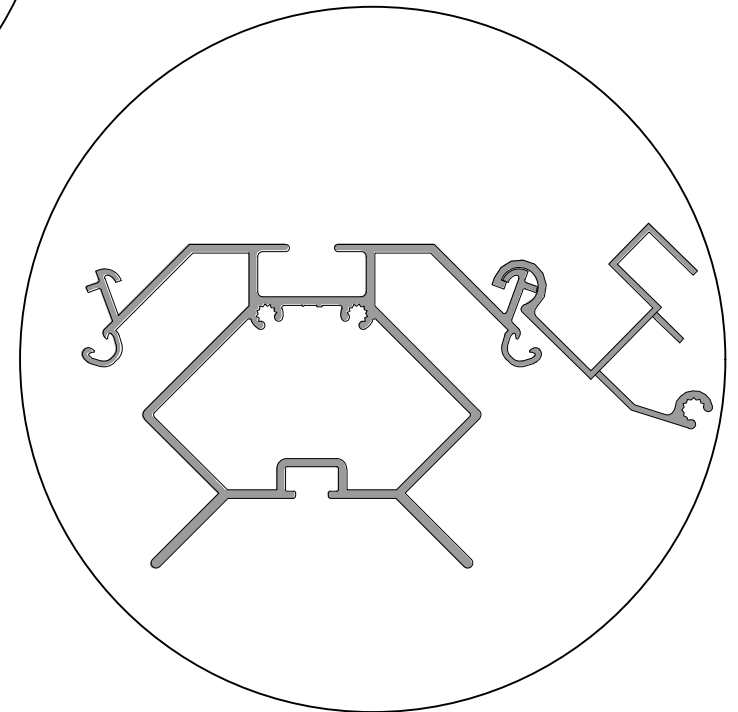
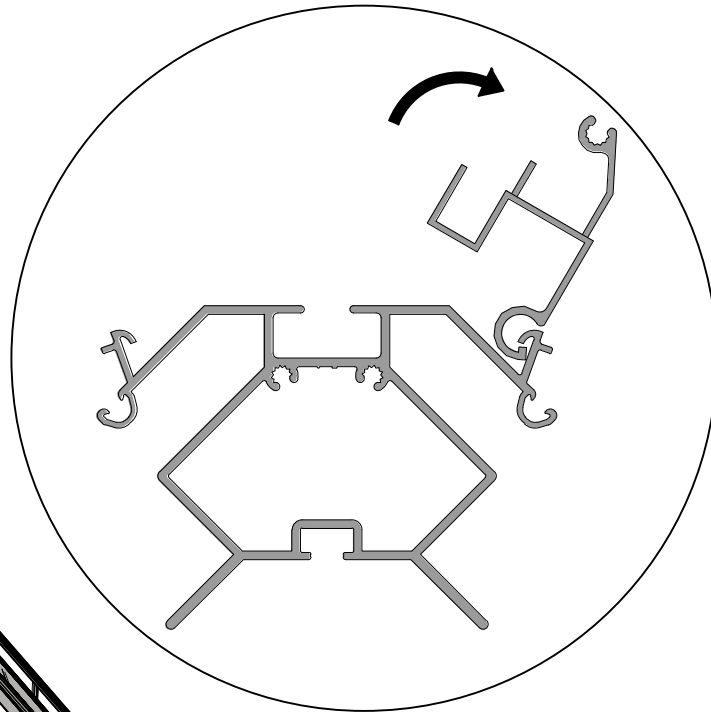
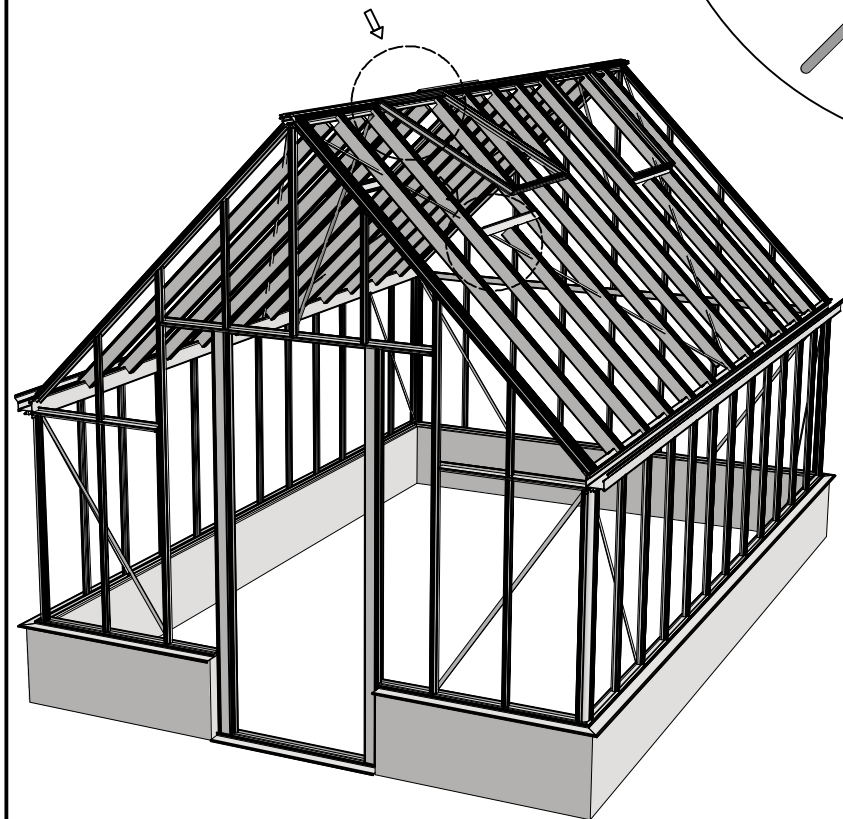
 = M6x12

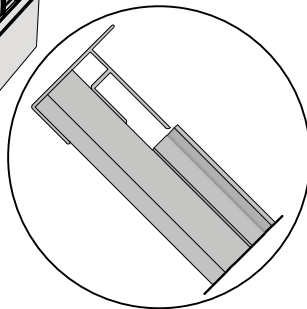
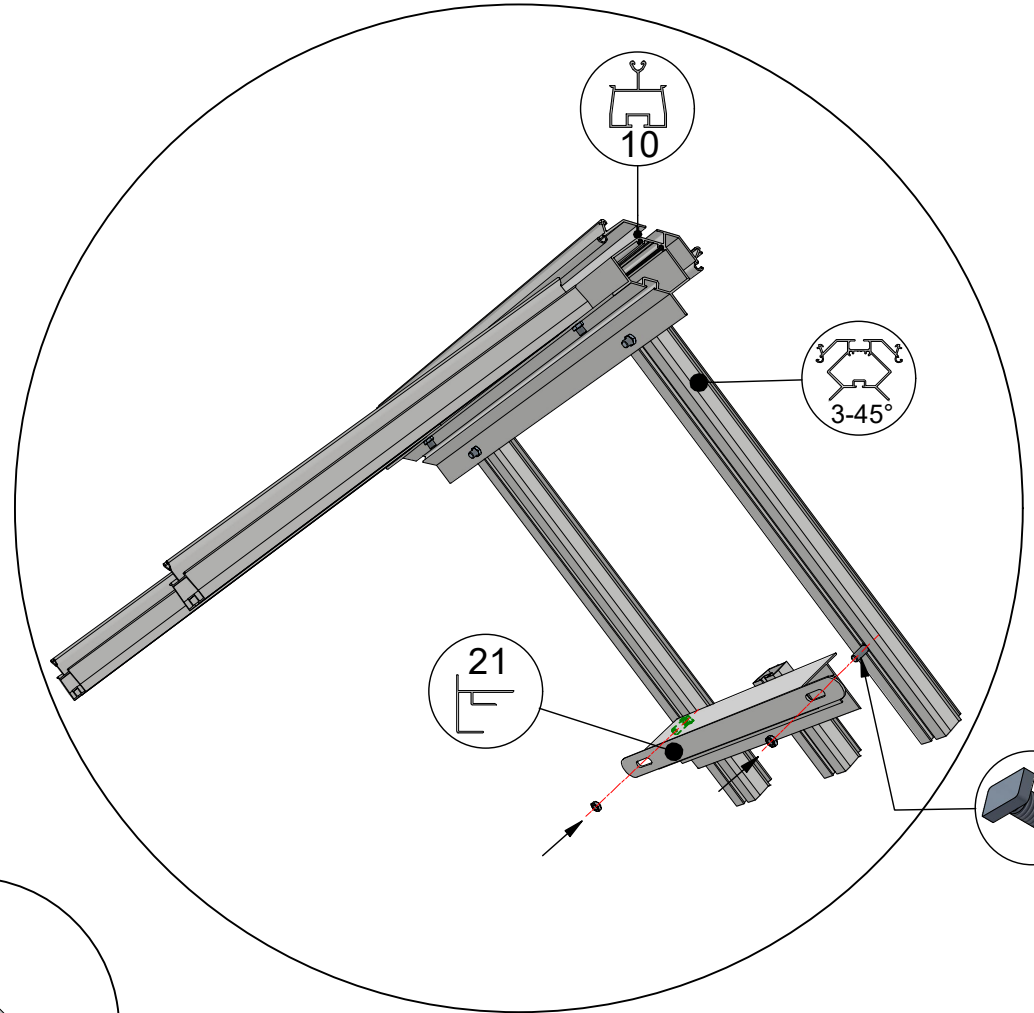
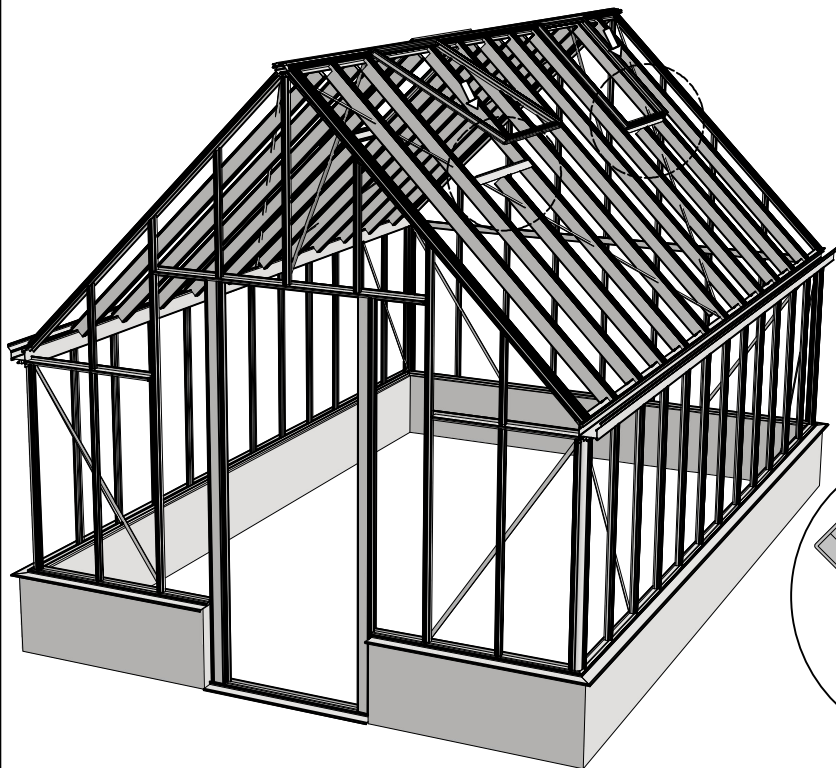
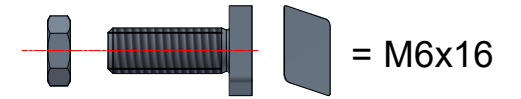
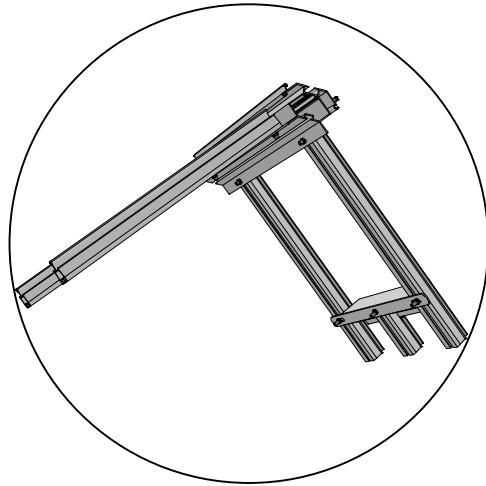
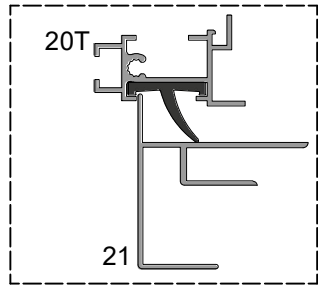


 = M6x12

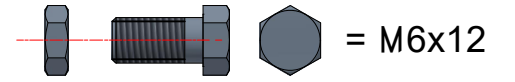
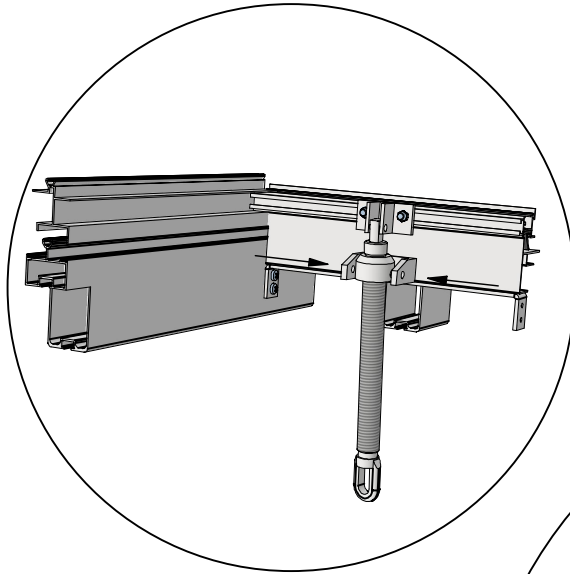
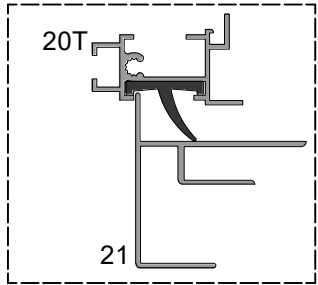






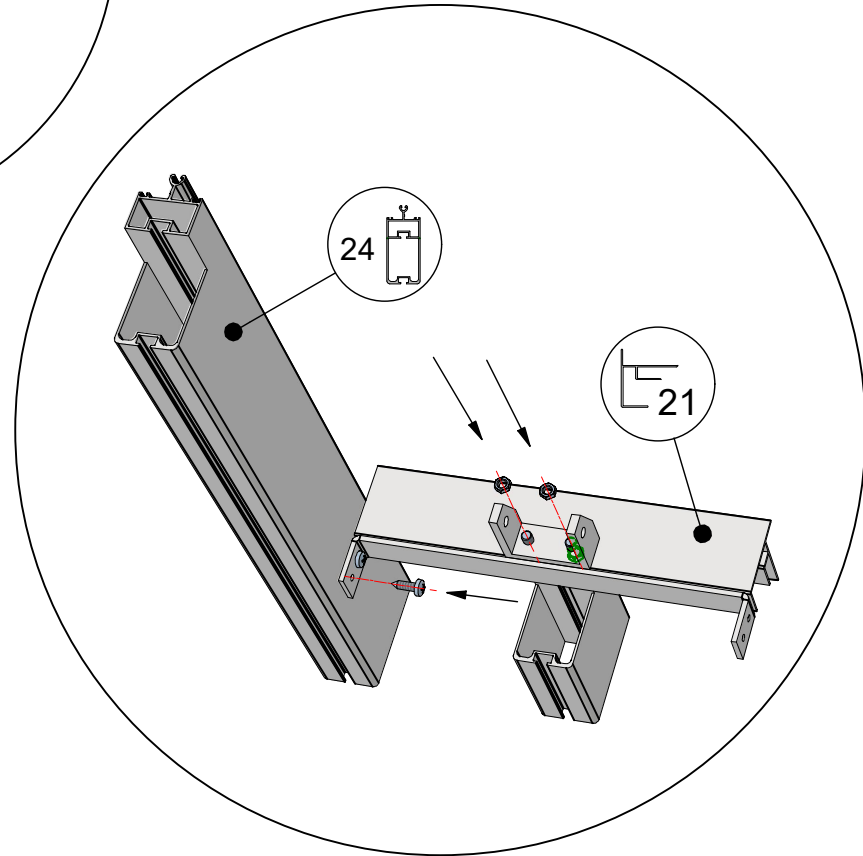
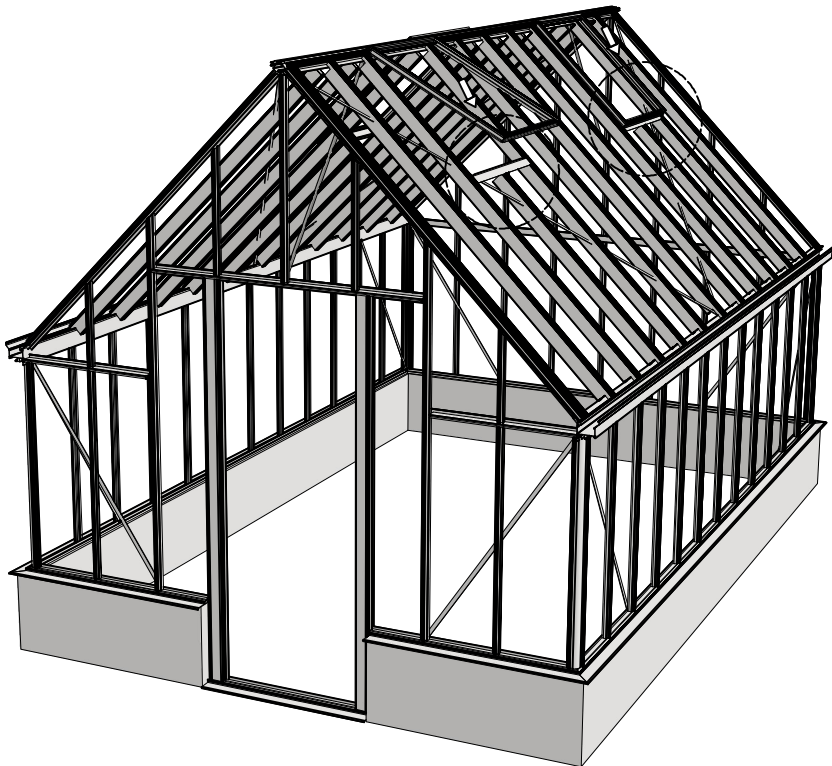
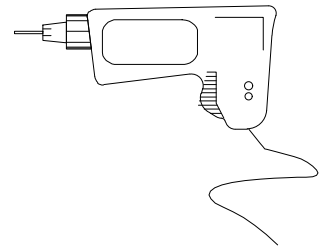







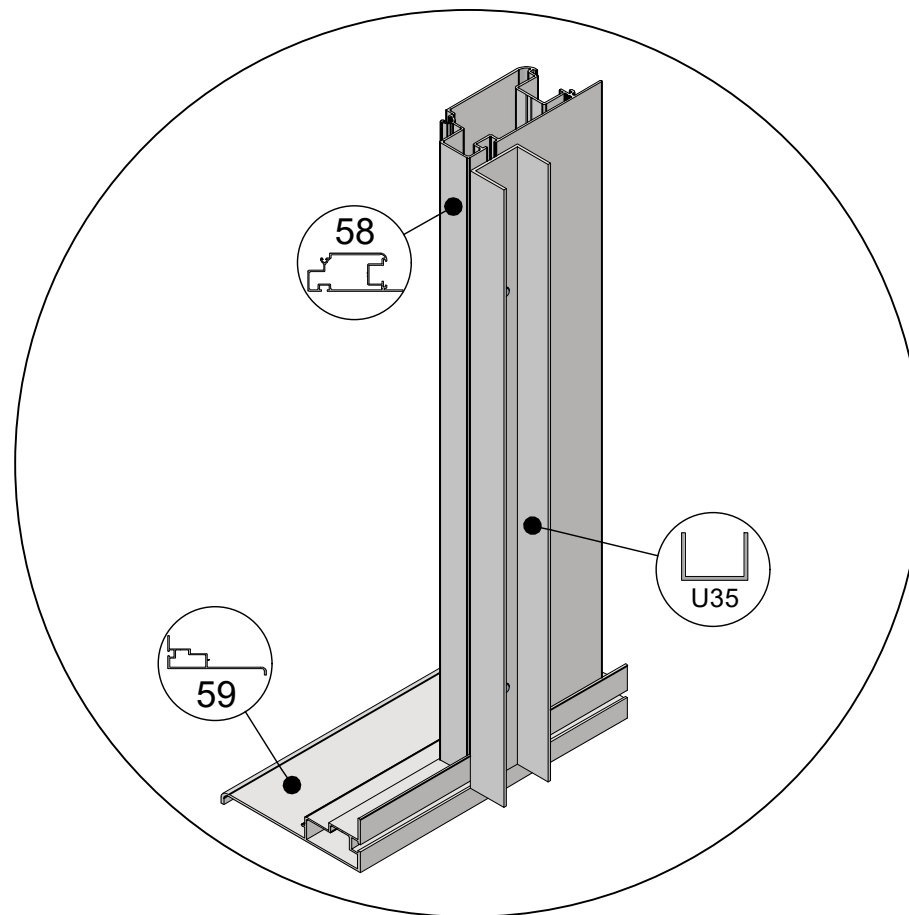
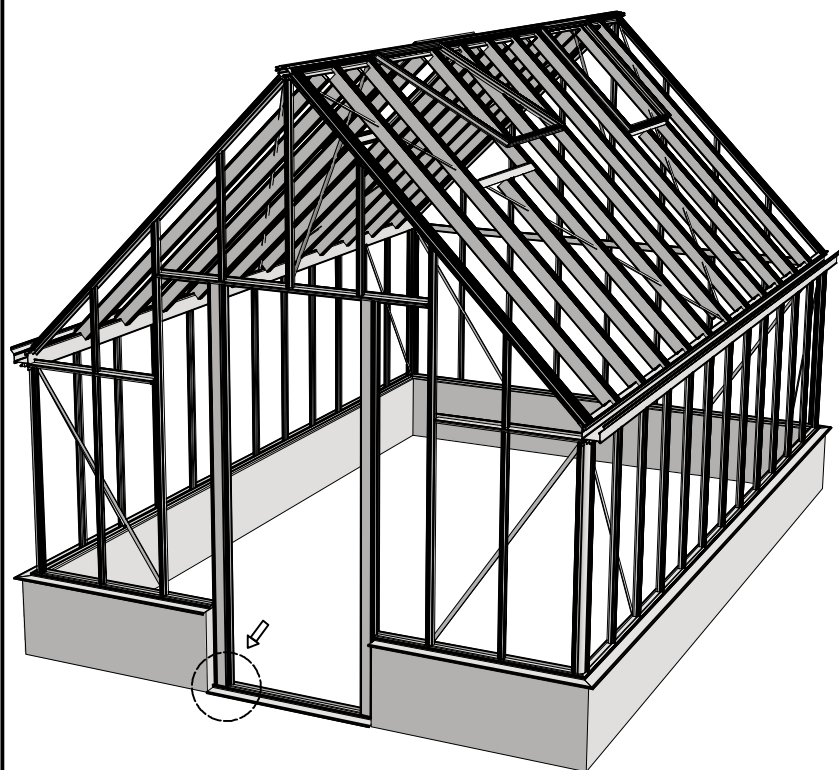
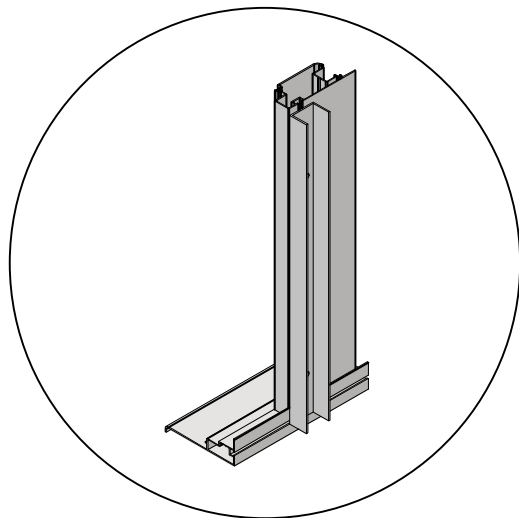
Ø = 6,5mm


Ø = 4mm

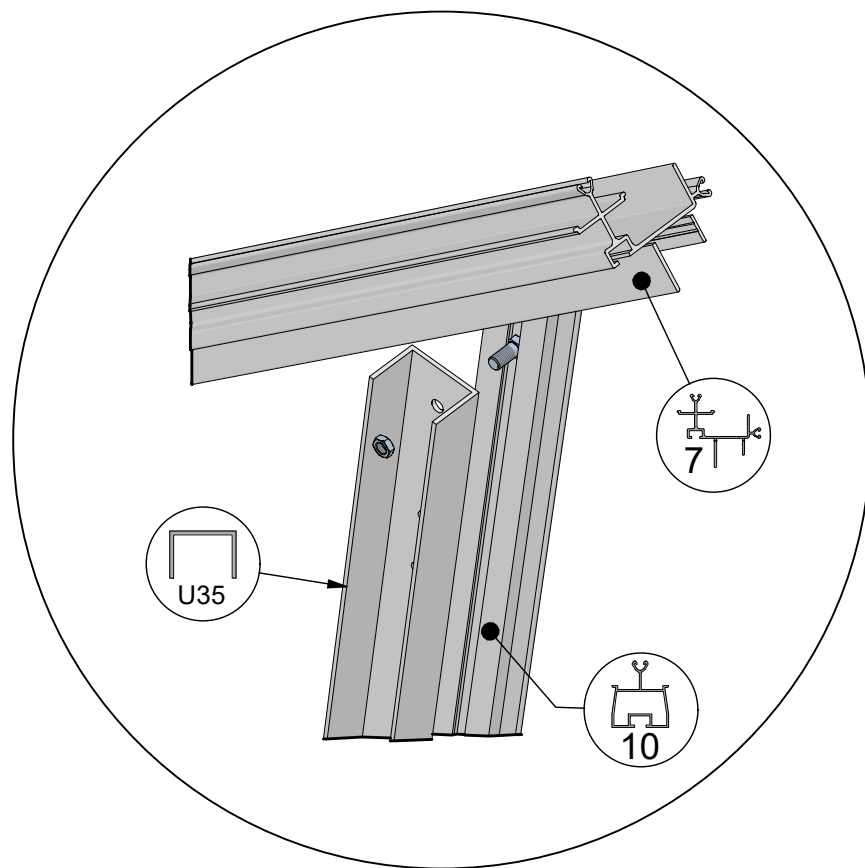
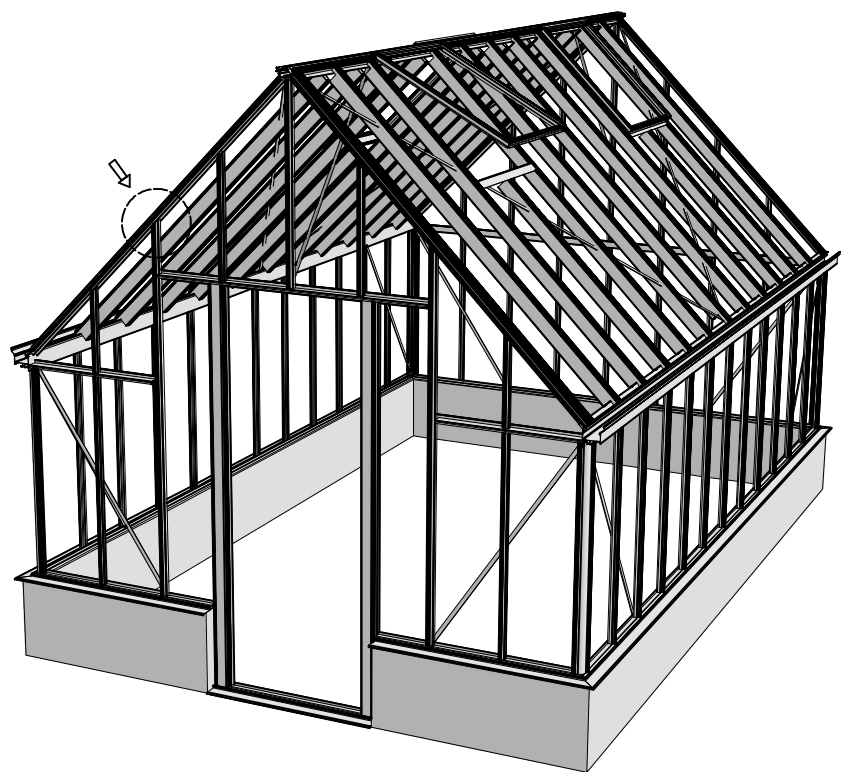


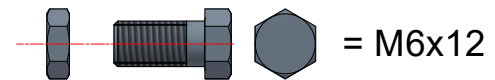


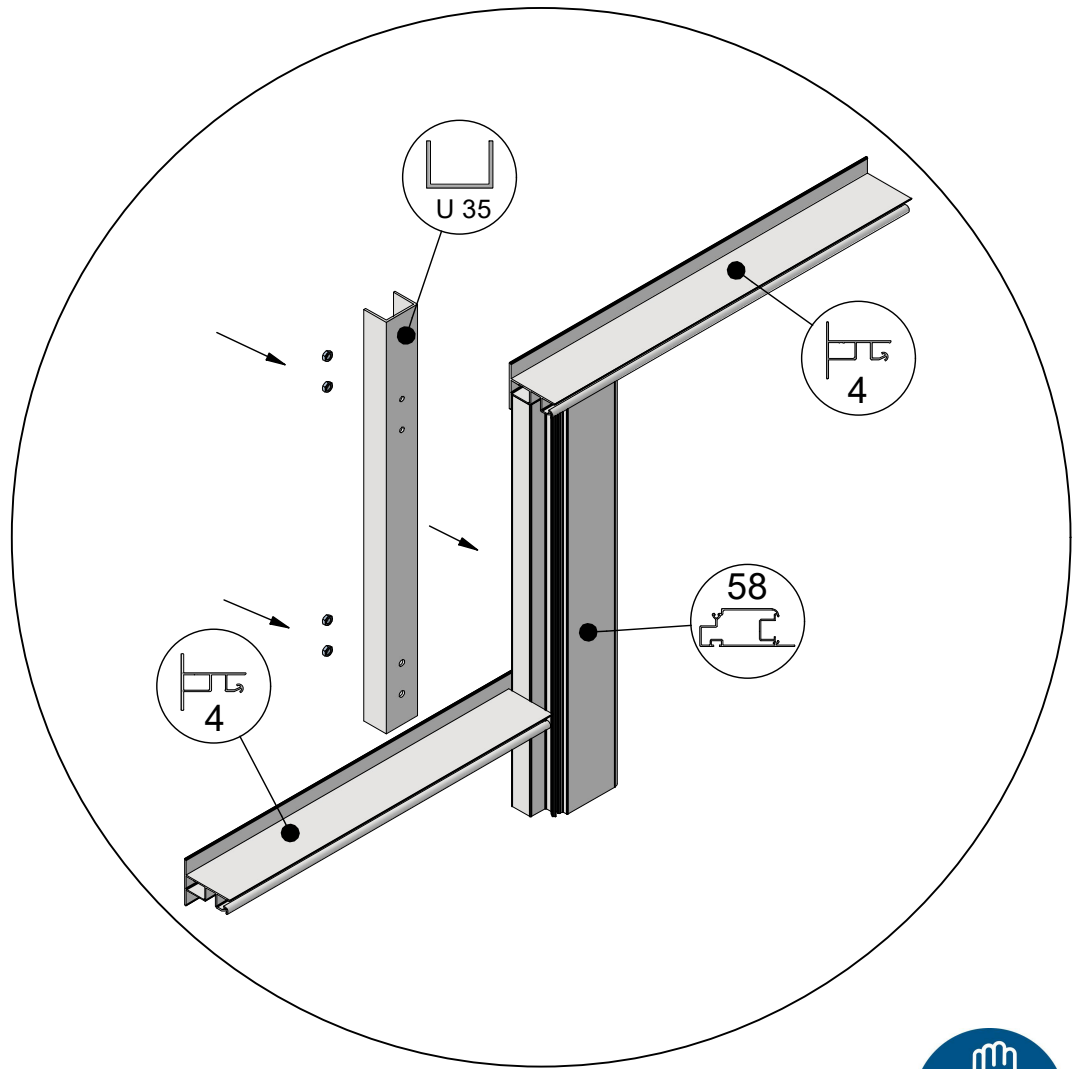
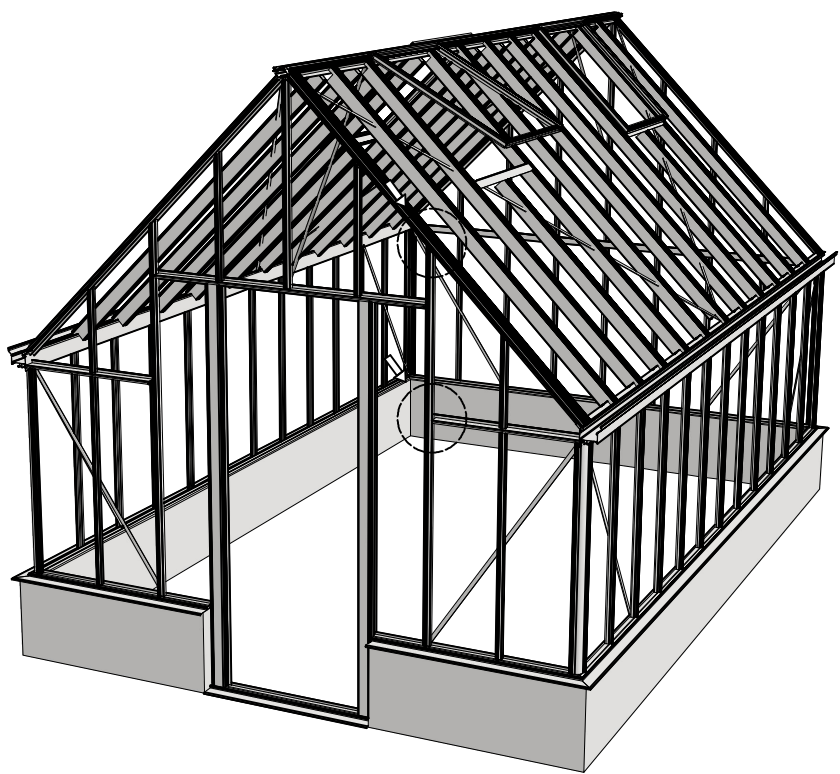
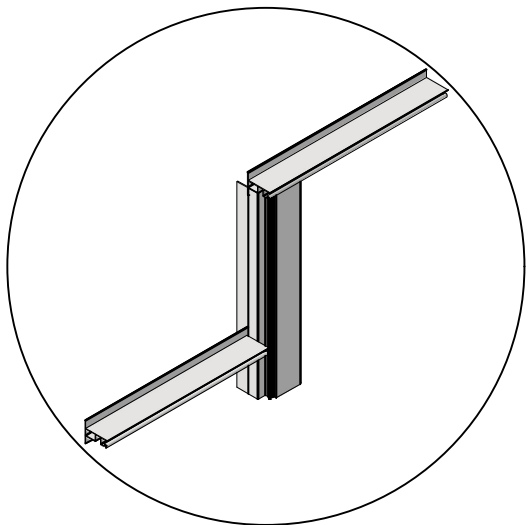
 = M6x12

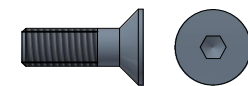


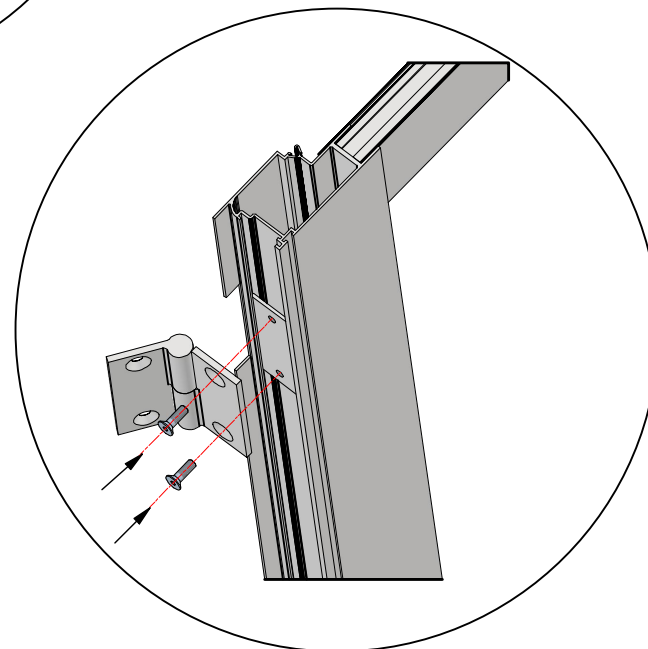
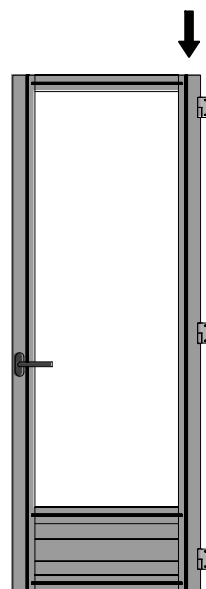
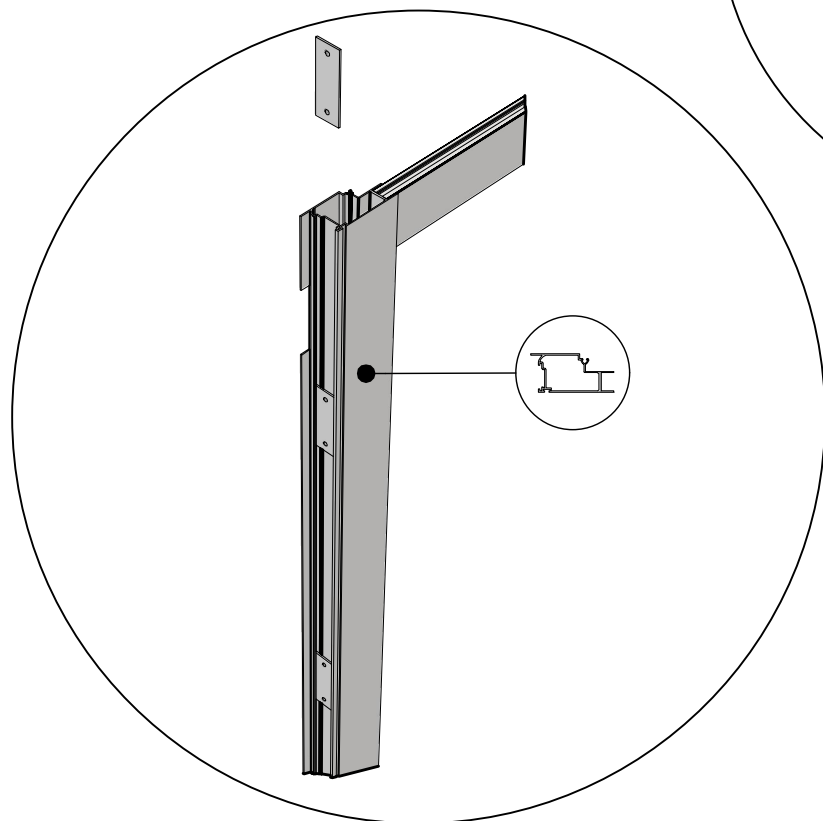
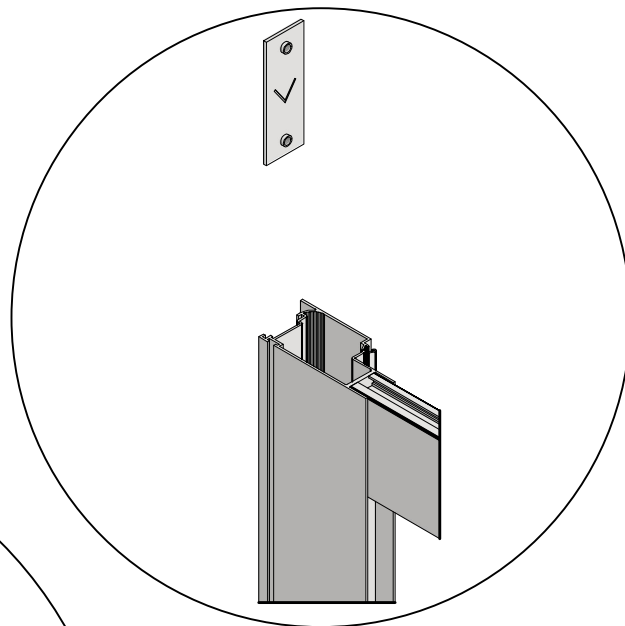
 = M6x12

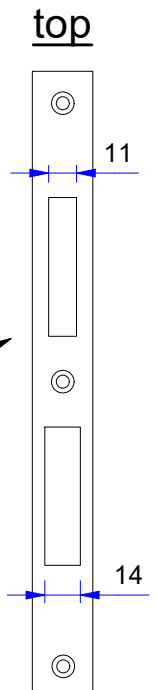
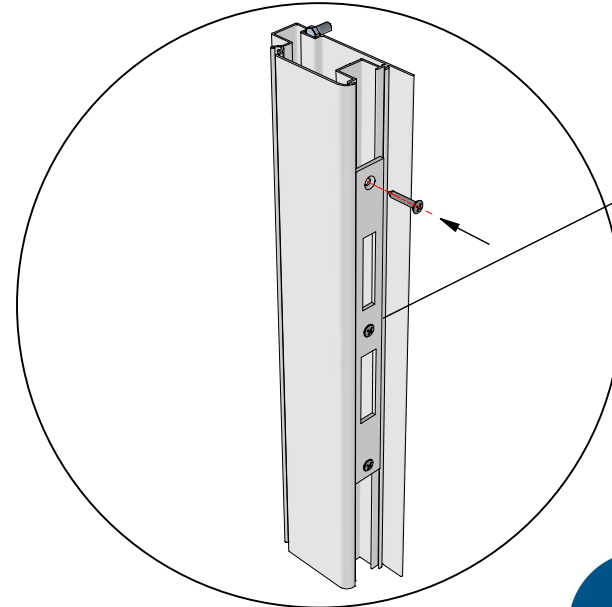
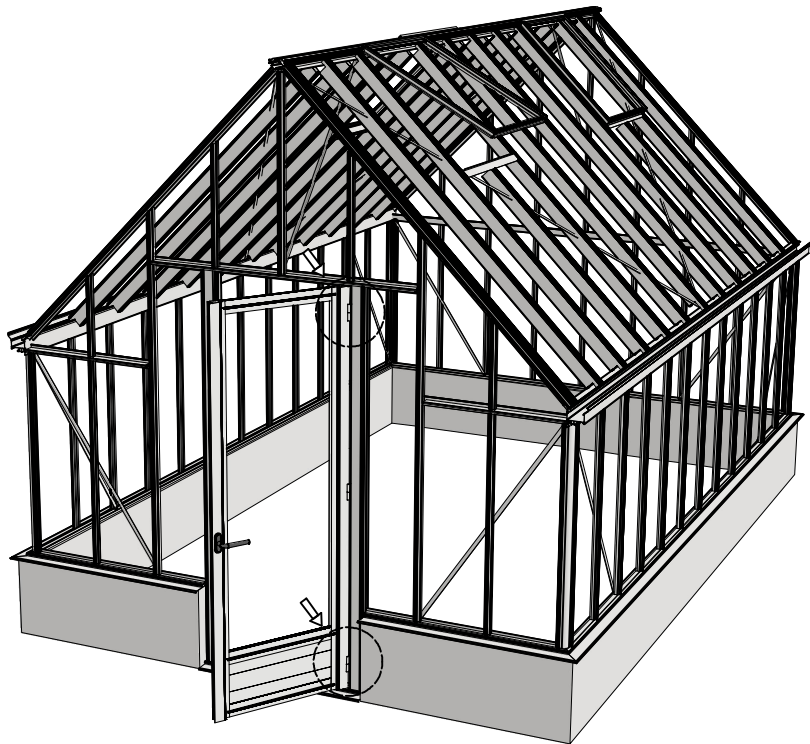
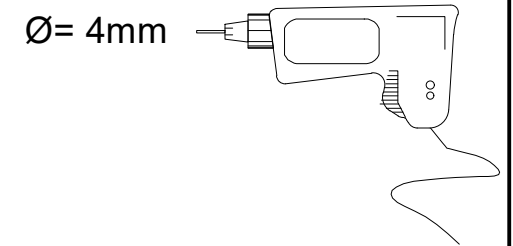
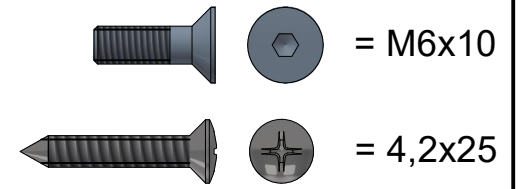
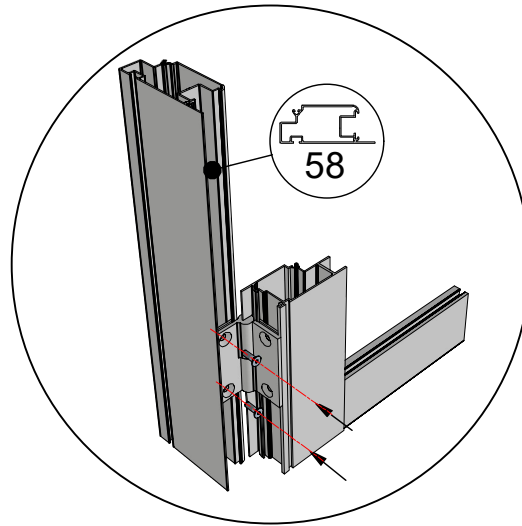
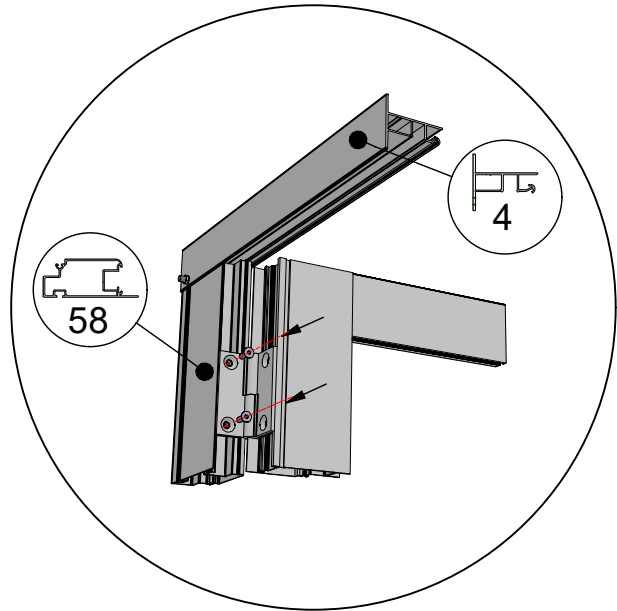


 = M6x12



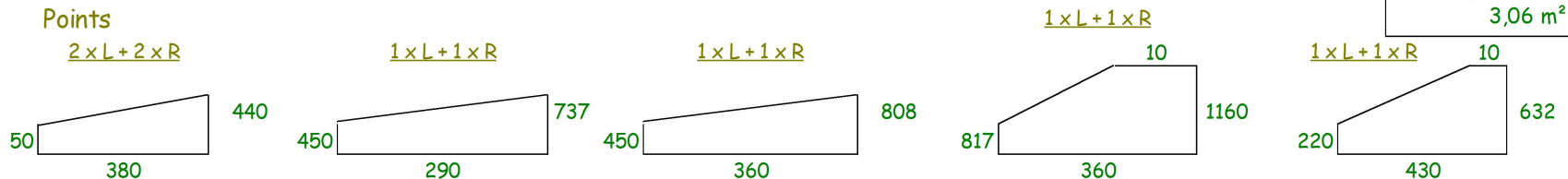
 = M6x10





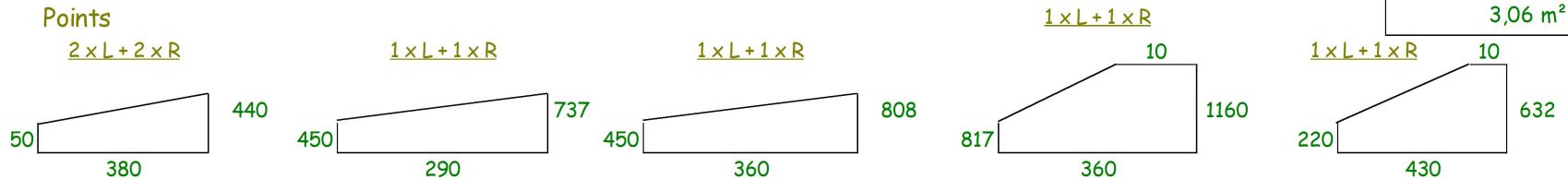
Glass Dimensions Nv Euro-serre		Euro-Rustic special on wall 2,36m			GlassH: 1120			Wall H: 430		
Glass Size 730mm	Sides		Single	Roof	Size Lenght x Wide		Poly		m <sup>2</sup>	m <sup>2</sup>
	1120 x 360	1120 x 290	1615 x 620	1590 x 360	763 x 360	825 x 730	1590 x 360	763 x 360		
Euro-Rustic special on wall 2,36m x 2,36m	20	2	1	8	4	2 or 2	8	4	9,7	6,9
Euro-Rustic special on wall 2,36m x 3,09m	24	2	1	12	4	2 or 2	12	4	11,3	9,2
Euro-Rustic special on wall 2,36m x 3,80m	28	2	1	16	4	2 or 2	16	4	12,9	11,5
Euro-Rustic special on wall 2,36m x 4,57m	30	2	1	18	6	3 or 3	18	6	13,7	13,8
Euro-Rustic special on wall 2,36m x 5,30m	36	2	1	22	6	3 or 3	22	6	16,2	16,0
Euro-Rustic special on wall 2,36m x 6,04m	40	2	1	24	8	4 or 4	24	8	17,8	18,3
									0,0	
									0,0	
									0,0	

Points



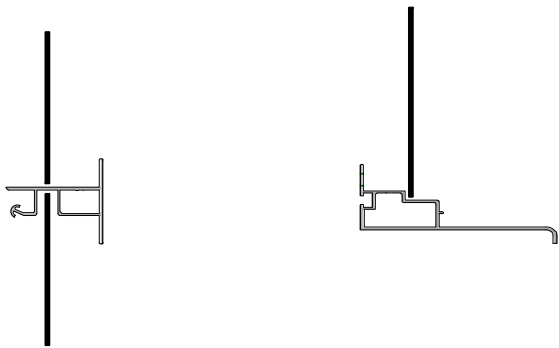
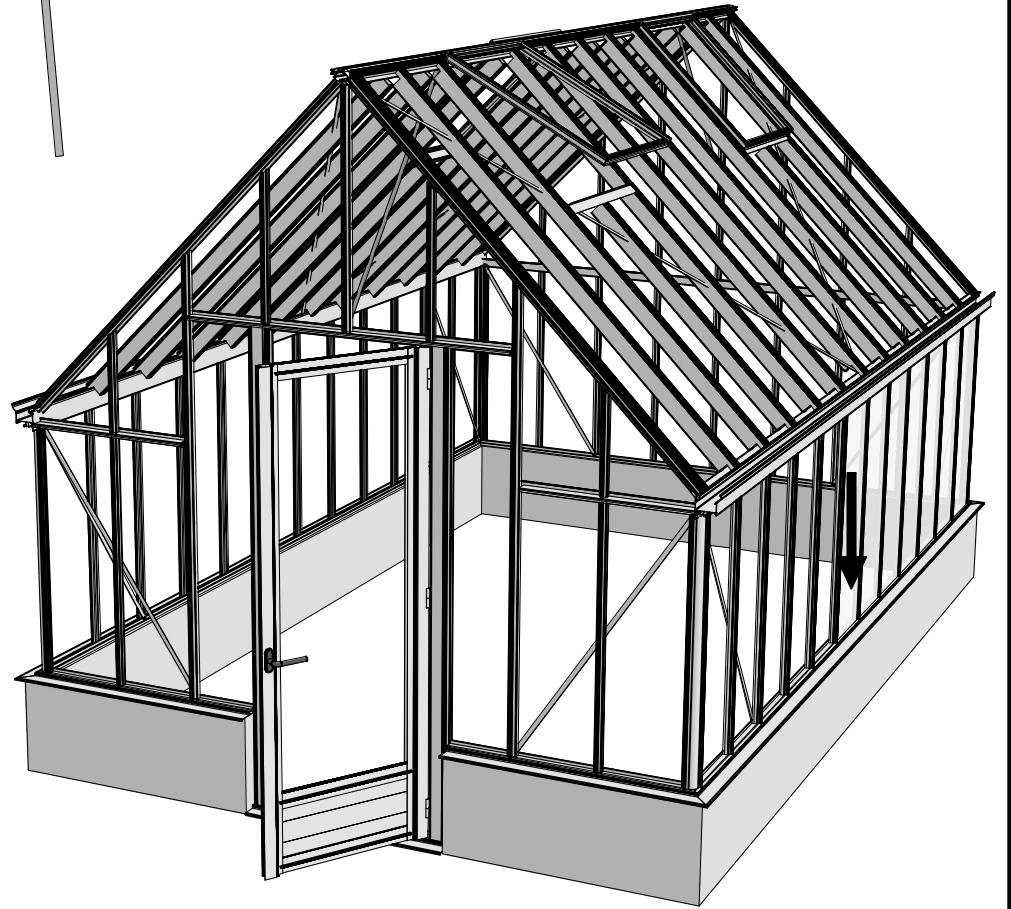
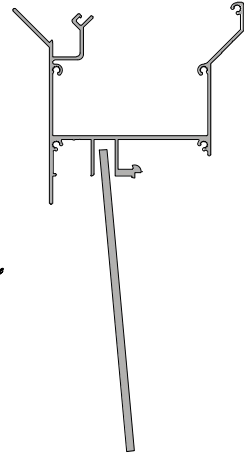
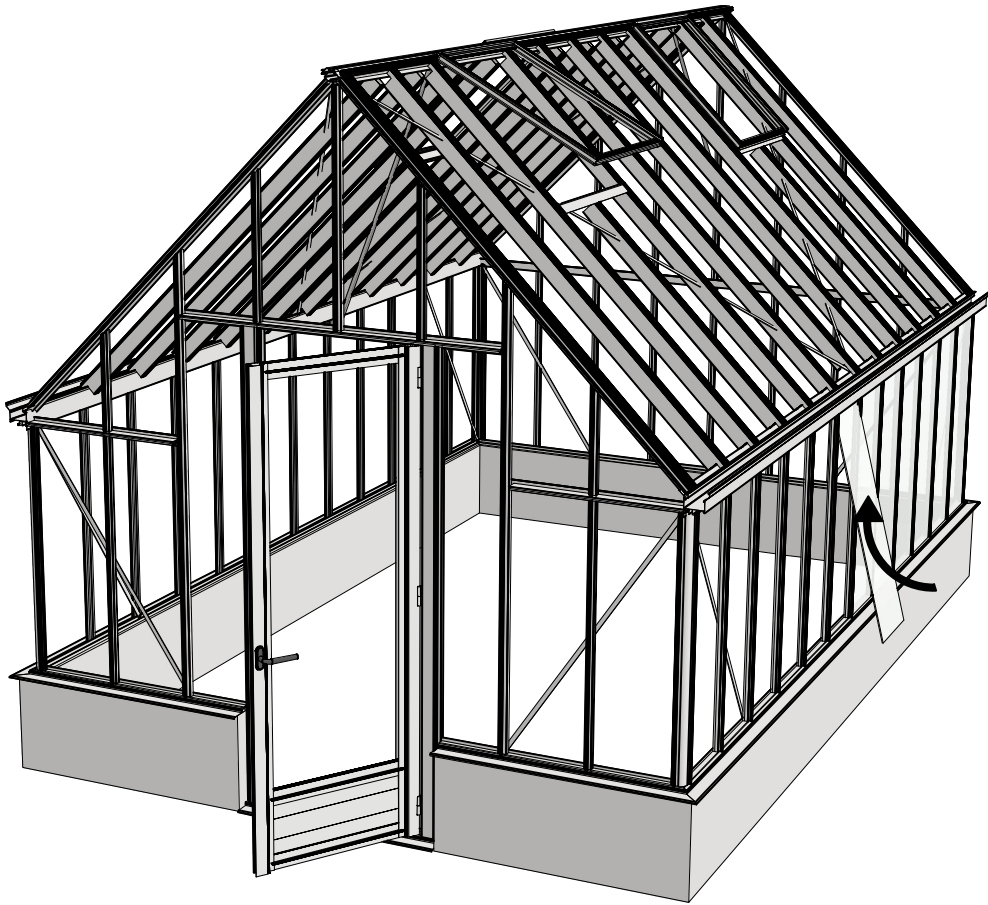
Glass Dimensions Nv Euro-serre		Euro-Rustic special on wall 2,36m			GlassH: 920			Wall H: 630		
Glass Size 730mm	Sides		Single	Roof	Size Lenght x Wide		Poly		m <sup>2</sup>	m <sup>2</sup>
	920 x 360	920 x 290	1350 x 620	1590 x 360	763 x 360	825 x 730	1590 x 360	763 x 360		
Euro-Rustic special on wall 2,36m x 2,36m	20	2	1	8	4	2 or 2	8	4	9,7	6,9
Euro-Rustic special on wall 2,36m x 3,09m	24	2	1	12	4	2 or 2	12	4	11,3	9,2
Euro-Rustic special on wall 2,36m x 3,80m	28	2	1	16	4	2 or 2	16	4	12,9	11,5
Euro-Rustic special on wall 2,36m x 4,57m	30	2	1	18	6	3 or 3	18	6	13,7	13,8
Euro-Rustic special on wall 2,36m x 5,30m	36	2	1	22	6	3 or 3	22	6	16,2	16,0
Euro-Rustic special on wall 2,36m x 6,04m	40	2	1	24	8	4 or 4	25	8	17,8	18,3
									0,0	
									0,0	
									0,0	

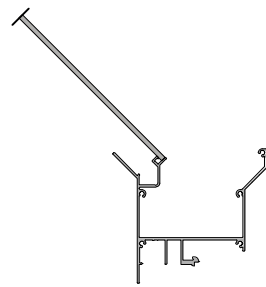
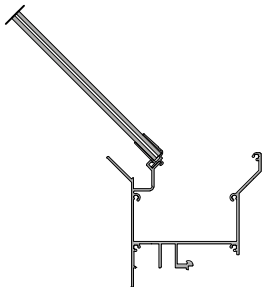
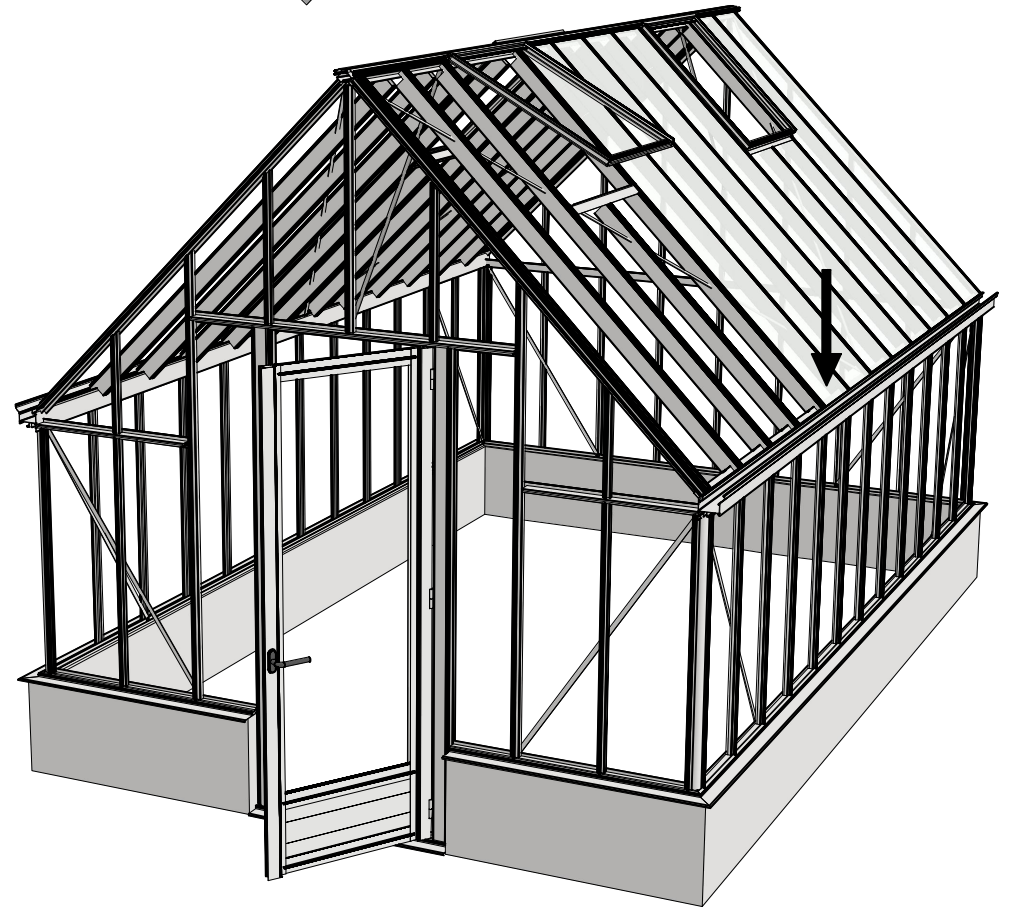
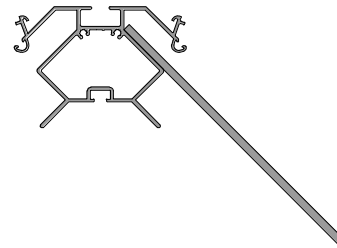
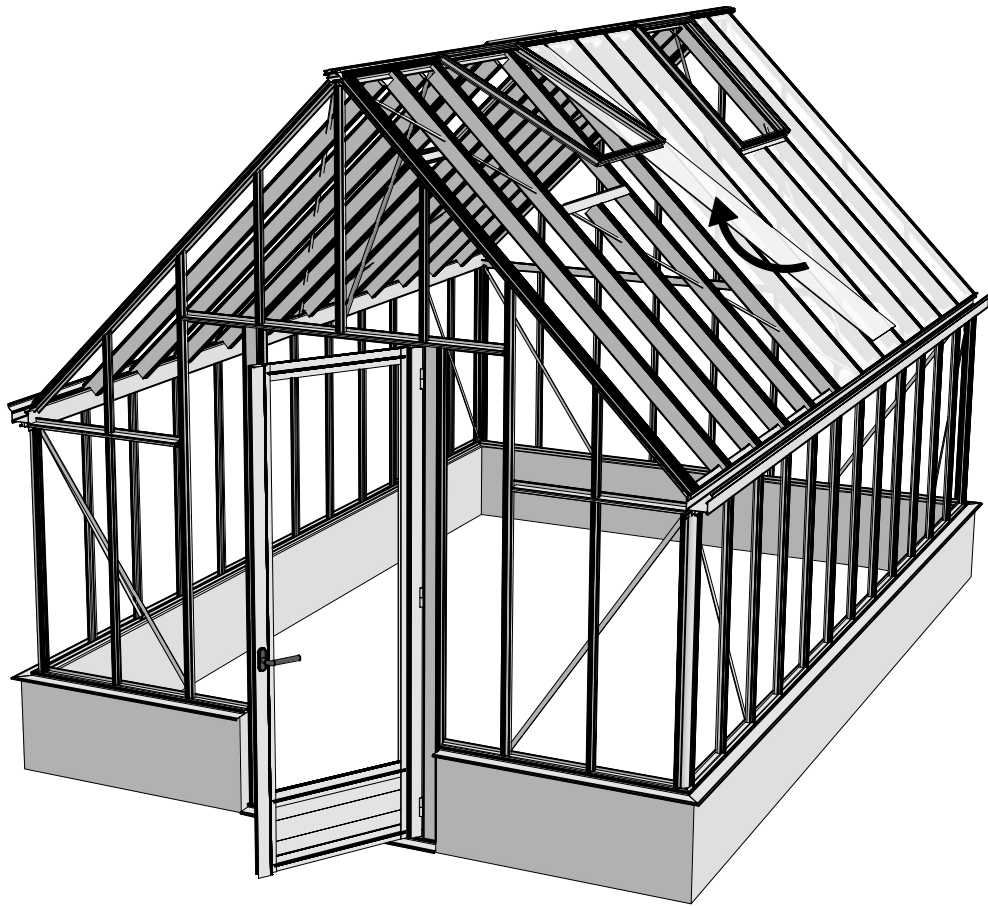
Points



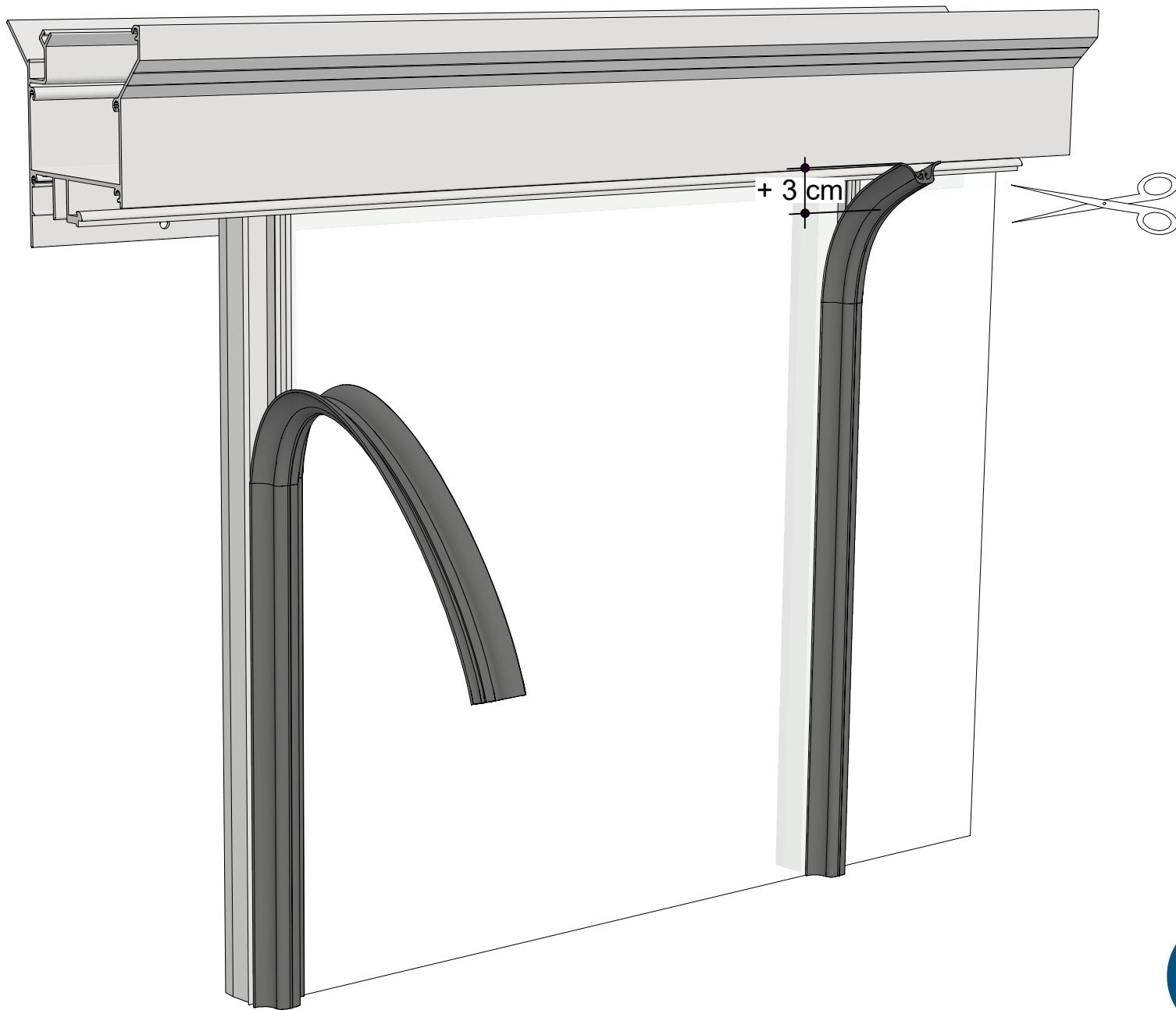
Opgemaakt op 28-09-2022

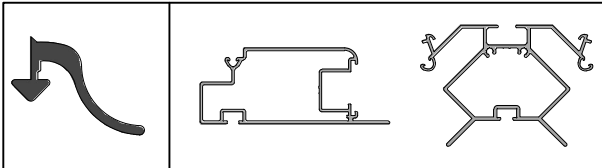
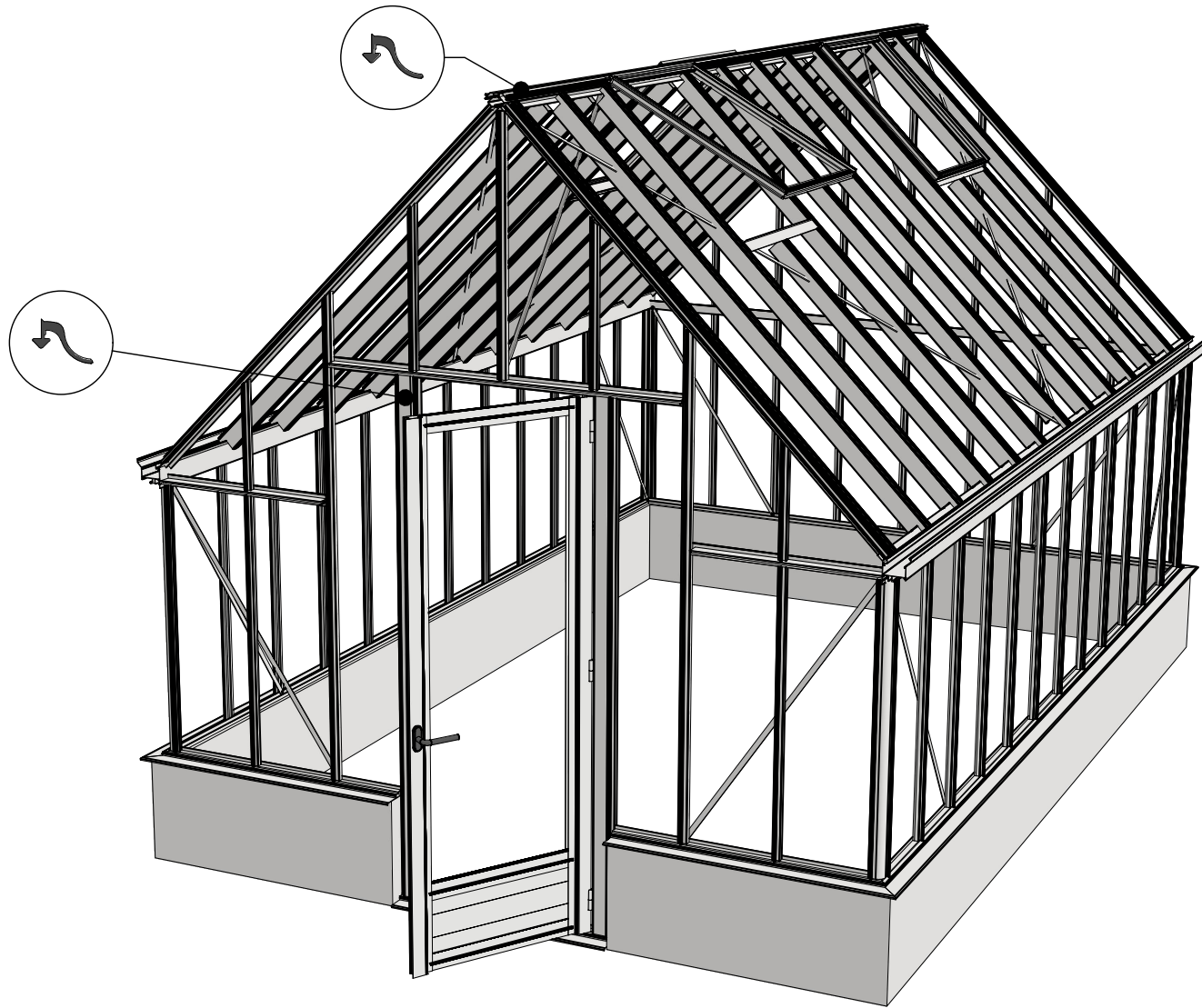


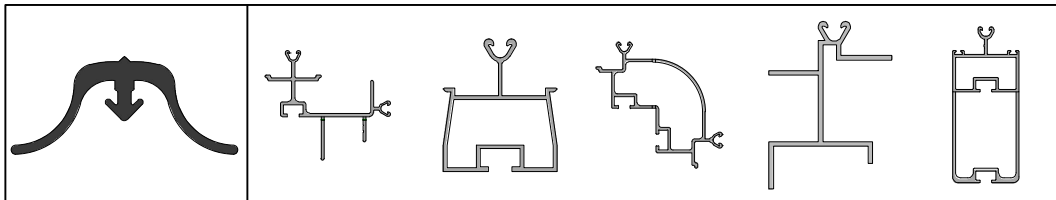
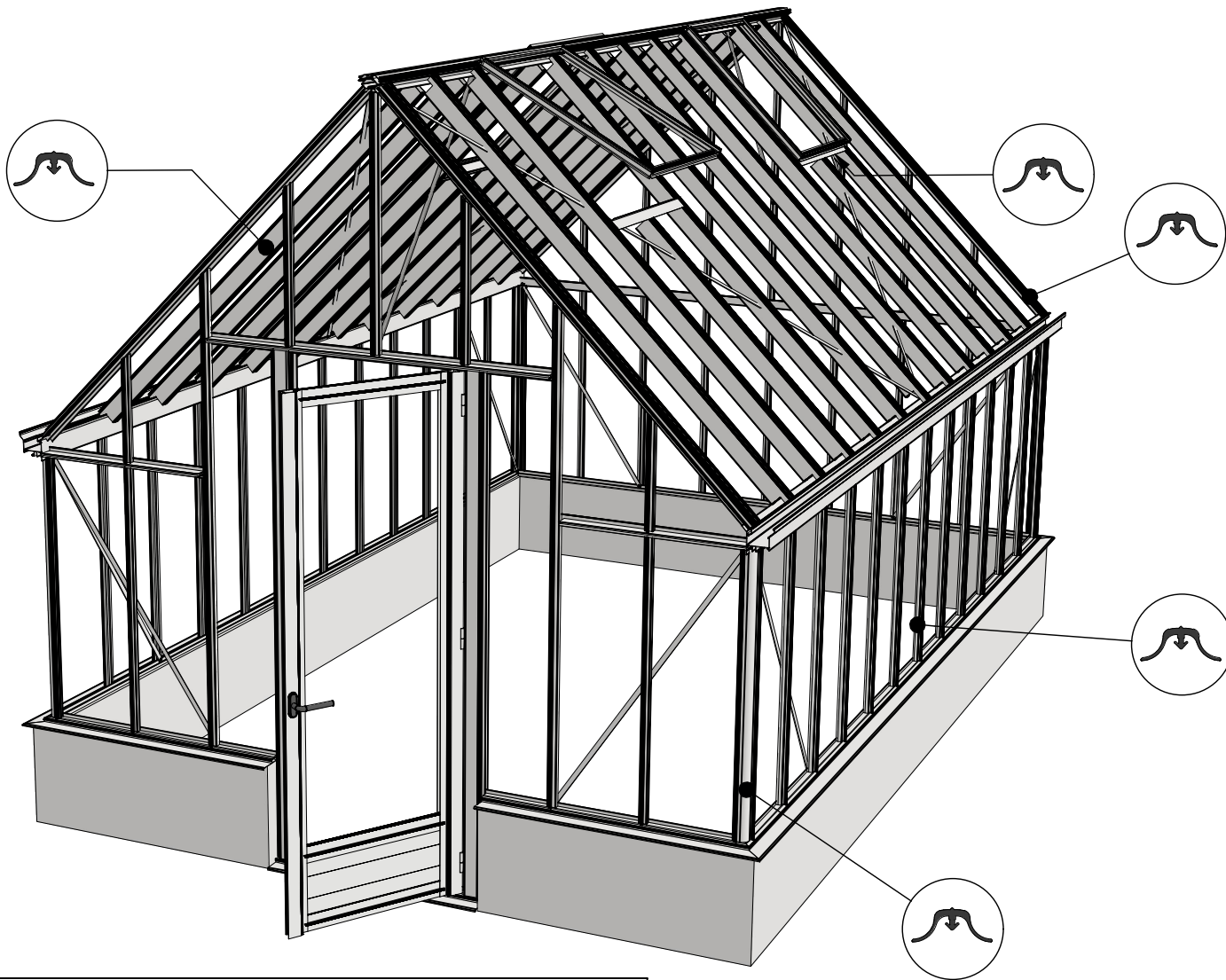


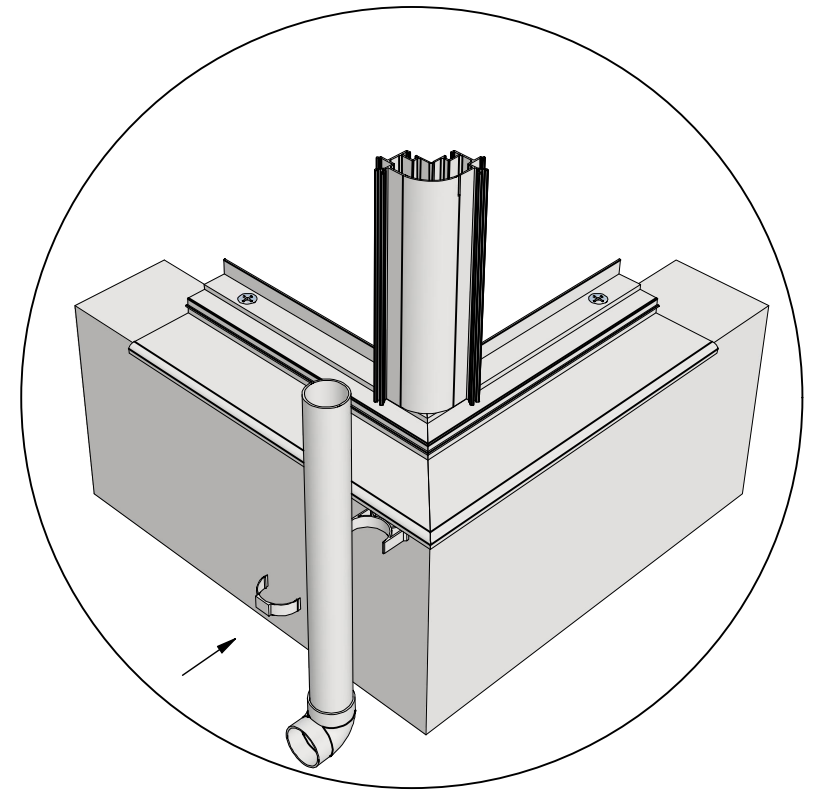
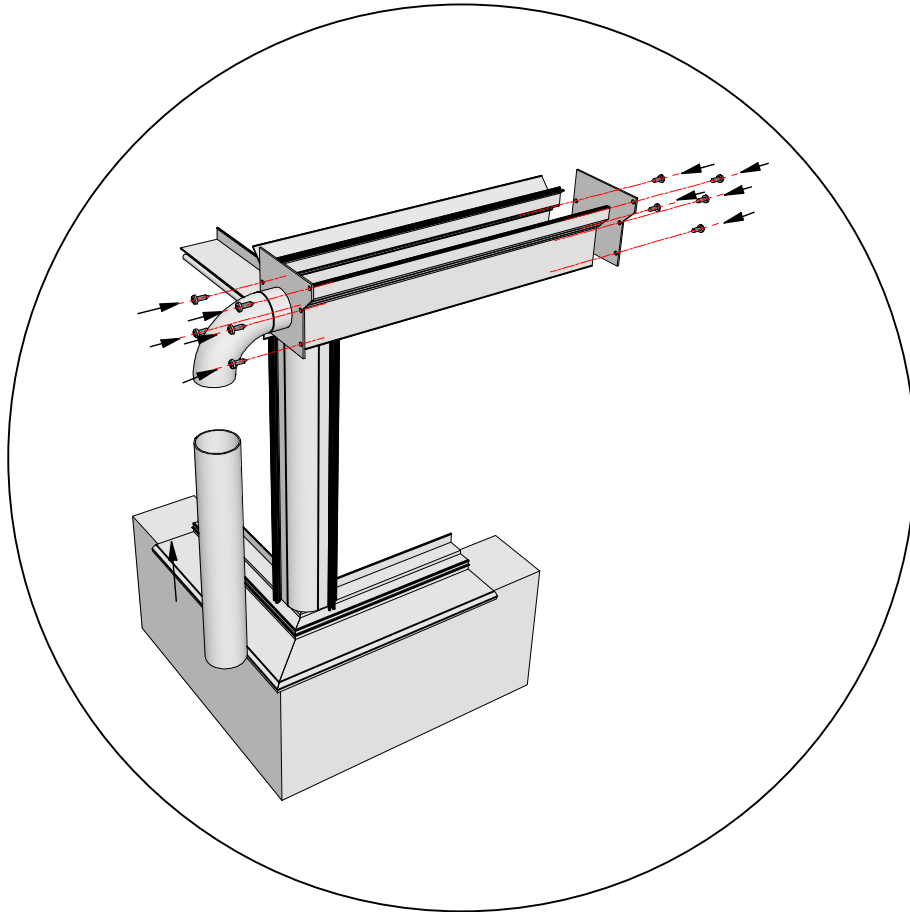
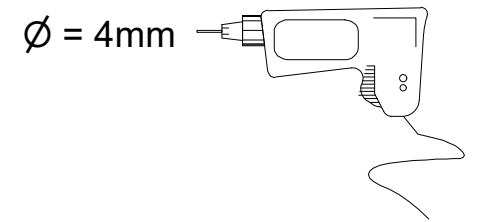
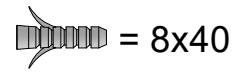
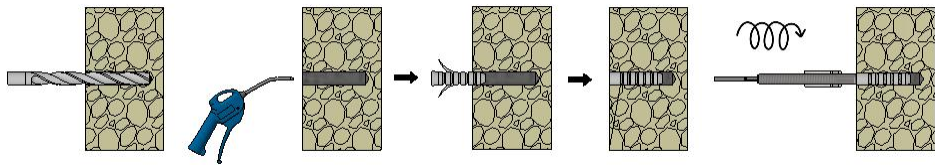








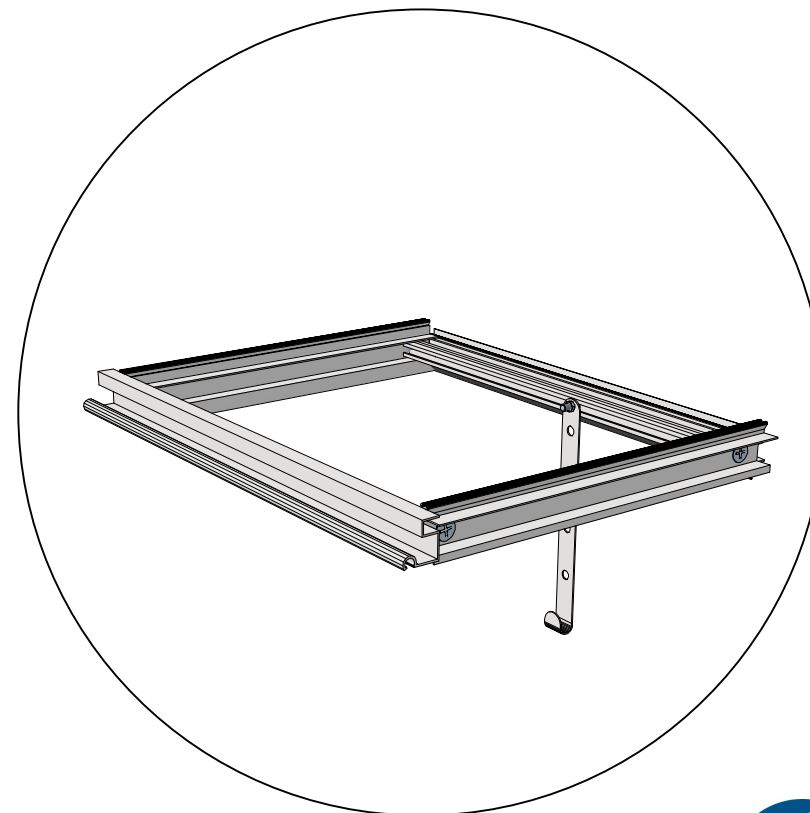
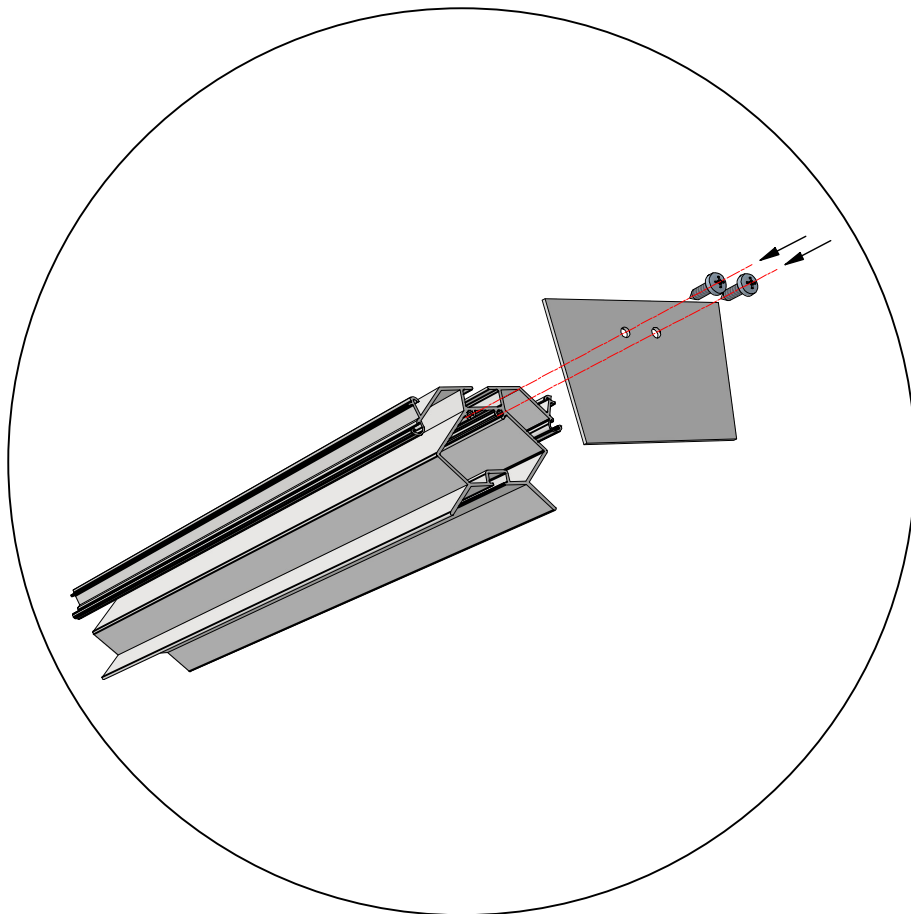




40



= 4,8x16





**Geleenlaan 1 - 3600 Genk**

**ref: Rustiq Special on wall-001 Rev. 05.10.2023**

**OCBS - 1148-CPR-20231003-989 C €**

**EN 1090-1 EXC 1**

**Euro-Rustiq Special on wall**

**[www.euroserre.com/cecificaten](http://www.euroserre.com/cecificaten)**