



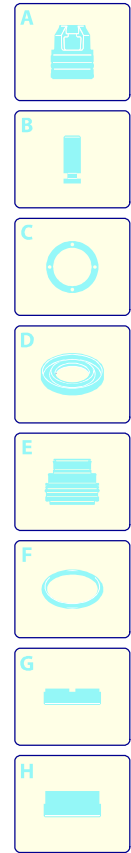
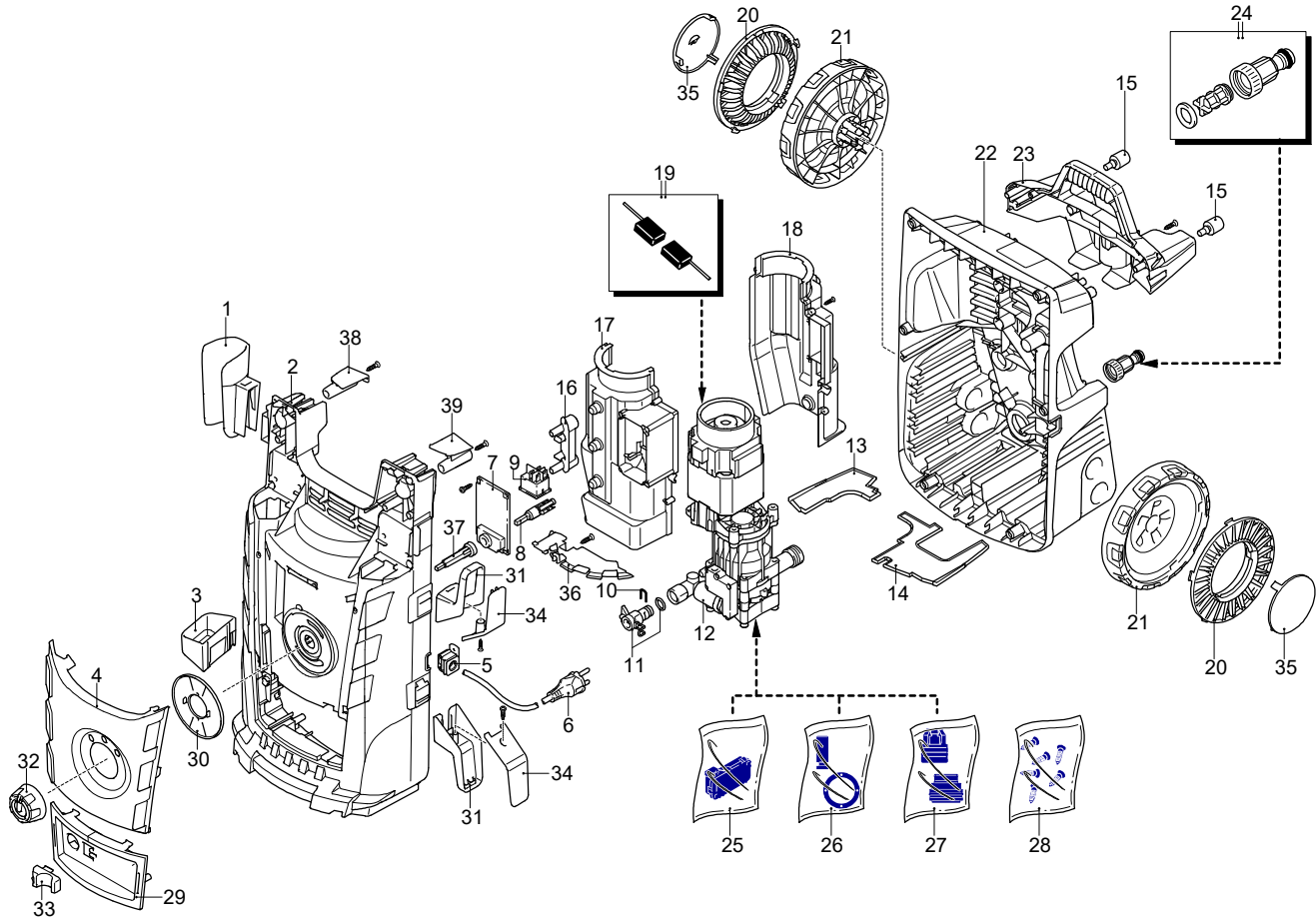
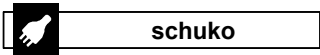
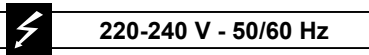
Model MPX 19 EH

Version:

Serial number:

Code: **14651**

11/03/2019



Validity	Pos.	Code	Description	Q
	1	4720630	Accessories carrier	1
	2	4720040	Casing	1
	3	3085230	Accessories carrier	1
	4	4720050	Guard	1
	5	3080580	Cable gland	1
	6	3082360	Cable	1
	7	3980130	Cover	1
	8	3980160	Pin	1
	9	3081450	Switch	1
	10	3500090	Fork	1
	11	4382480	Fitting	1
	12	4381460	Electric pump assembly	1
	13	4380590	Guard	1
	14	4380580	Guard	1
	15	2180330	Rubber foot	2
	16	4720250	Lock	1
	17	4380160	Conveyor	1
	18	4380170	Conveyor	1
	19	3082600	Brush kit for motor	1
	20	4720020	Guard	2
	21	4380610	Wheel	2
	22	4380960	Base	1
	23	4380990	Accessories carrier	1
	24	3082130	Water coupling kit	1
	25	3081280	TSS kit	1
	26	3081270	Piston + seals kit	1
	27	3081290	Valves + seals kit	1
	28	4381470	Screw kit	1
	29	4720060	Guard	1
	30	4720240	Plate	1
	31	4720520	Accessories carrier	2
	32	4720230	Knob	1
	33	4380394	Push-button	1
	34	4720510	Guard	2
	35	4720030	Plug	2
	36	4720190	Guard	1
	37	4720140	Hub pin	1
	38	4720270	Plug	1
	39	4720140	Hub pin	1

UN_CE_2553-CL



Model MPX 19 EH

Version:

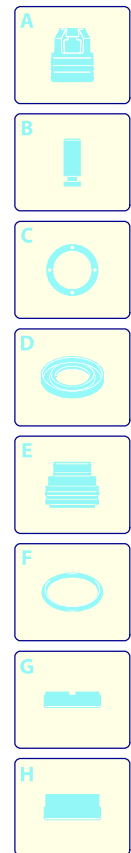
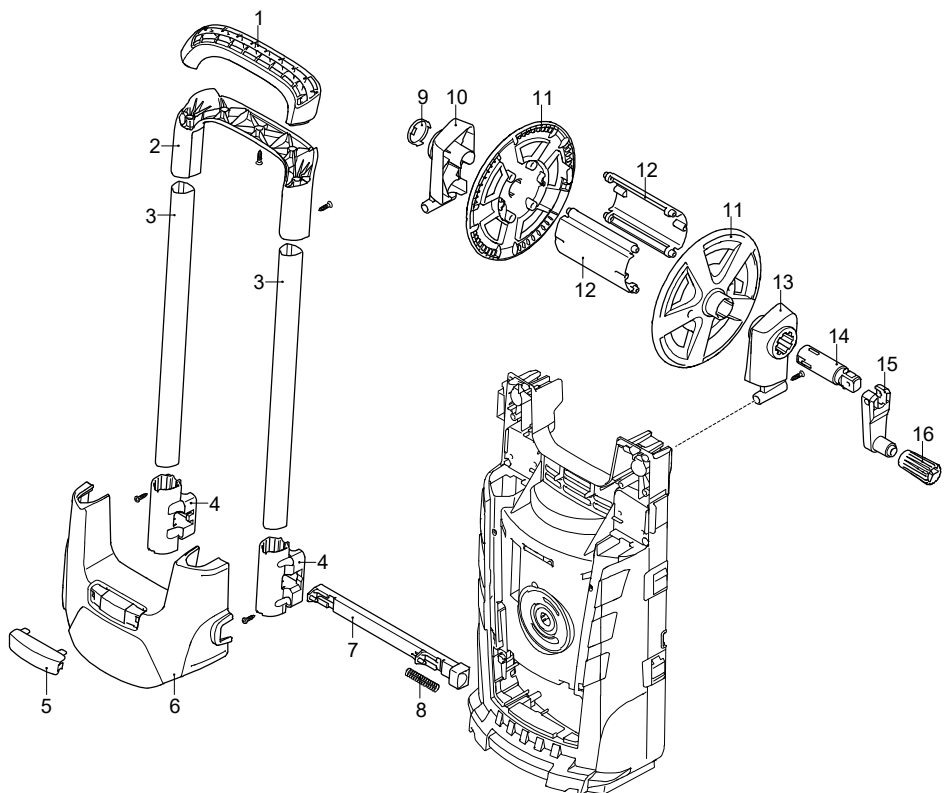
Serial number:

Code: **14651**

11/03/2019

220-240 V - 50/60 Hz

schuko



Validity	Pos.	Code	Description	Q
	1	4720090	Knob	1
	2	4720080	Handle	1
	3	4720110	Pipe	2
	4	4720120	Guide	2
	5	4720260	Guard	1
	6	4720130	Guard	1
	7	4720100	Hook	1
	8	4821020	Spring	1
	9	4820410	Cover	1
	10	4720160	Bracket	1
	11	4101680	Plate	2
	12	4102120	Support	2
	13	4720150	Bracket	1
	14	4101750	Hub pin	1
	15	4101660	Lever	1
	16	4101672	Knob	1



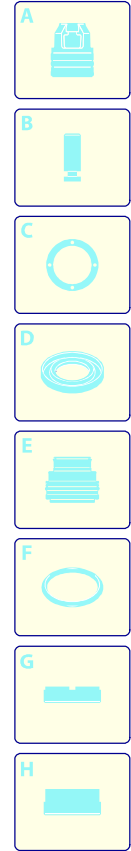
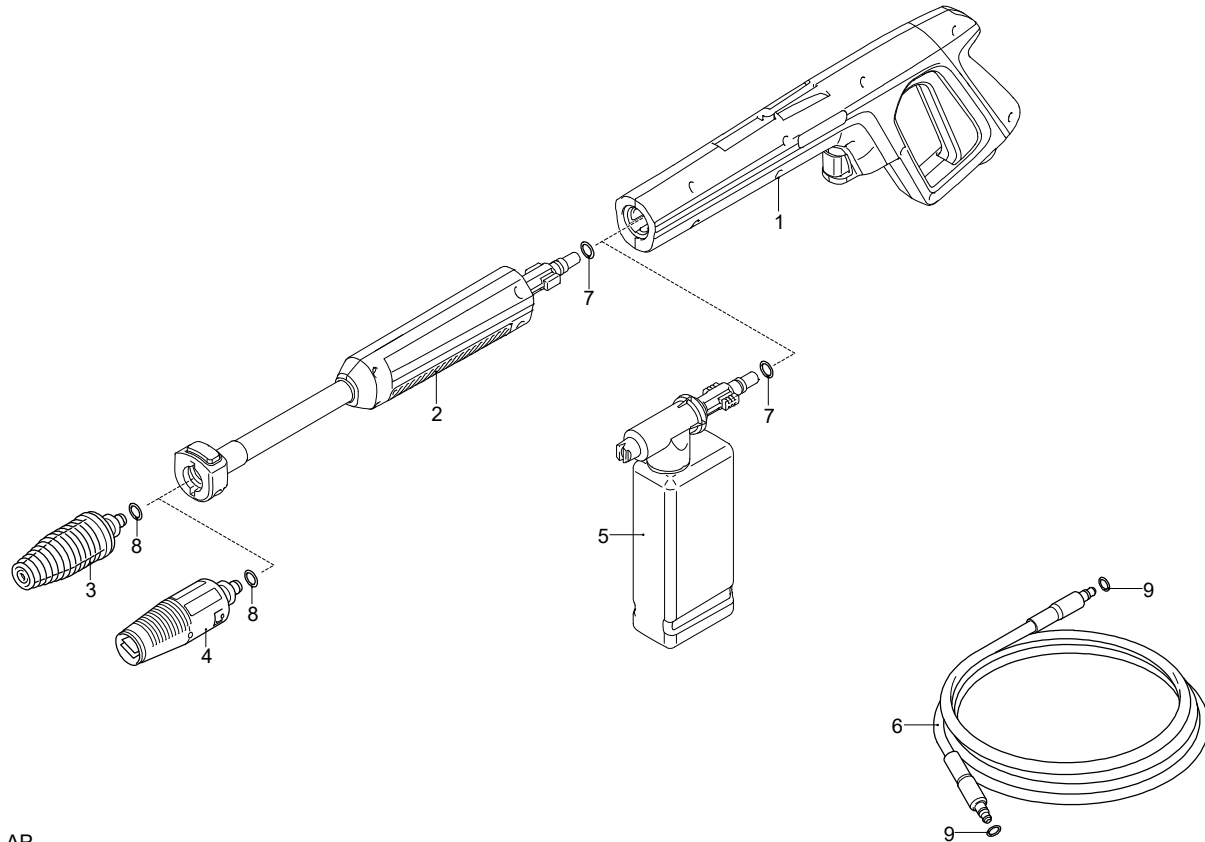
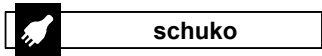
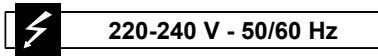
Model MPX 19 EH

Version:

Serial number:

Code: **14651**

11/03/2019



Validity	Pos.	Code	Description	Q
	1	4381483	Gun	1
	2	4381493	Extension	1
	3	4100800	Lance head	1
	4	4381810	Lance head	1
	5	4381500	Tank	1
	6	3500360	High pressure hose	1
	7	3083700	O-ring	2
	8	3083370	O-ring	2
	9	3083400	O-ring	2