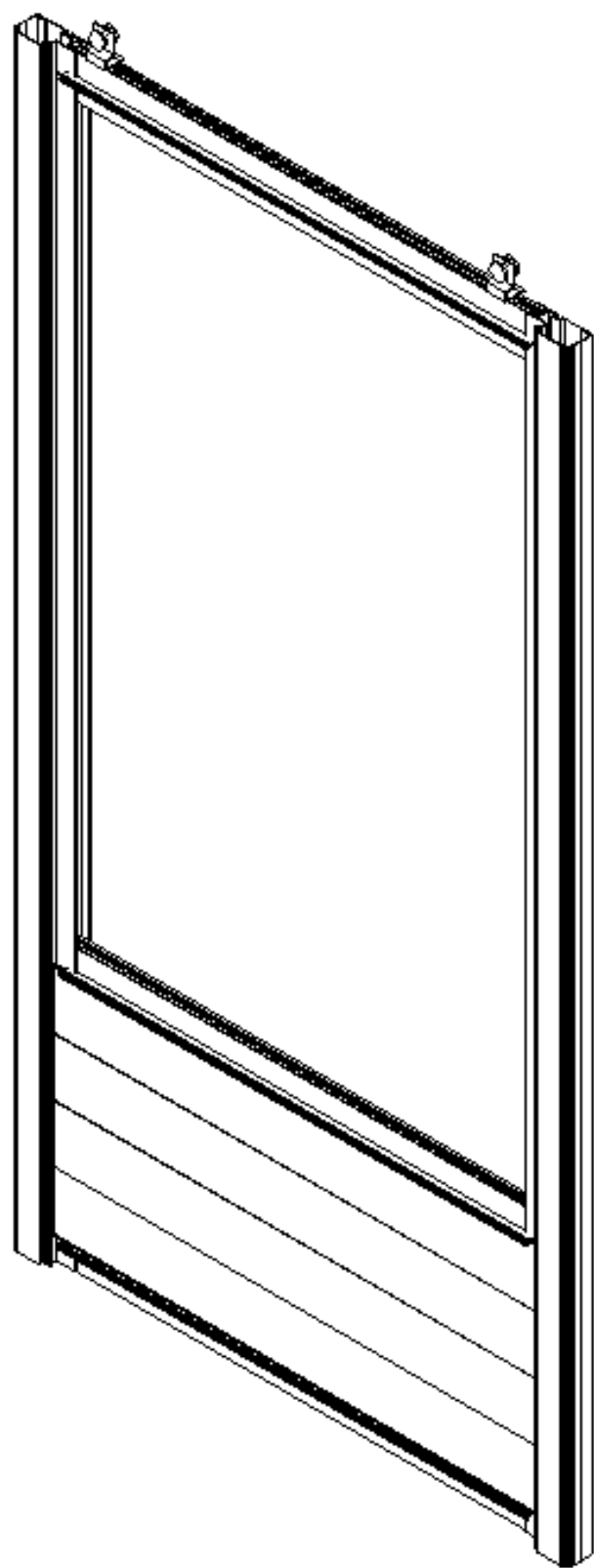

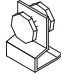

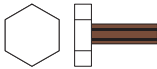
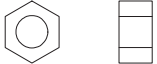




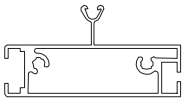


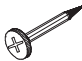
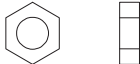

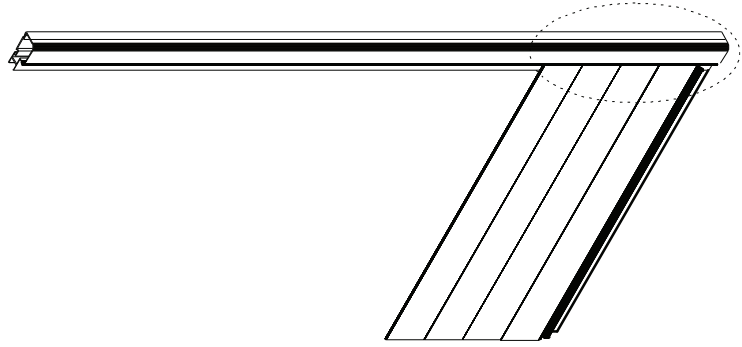
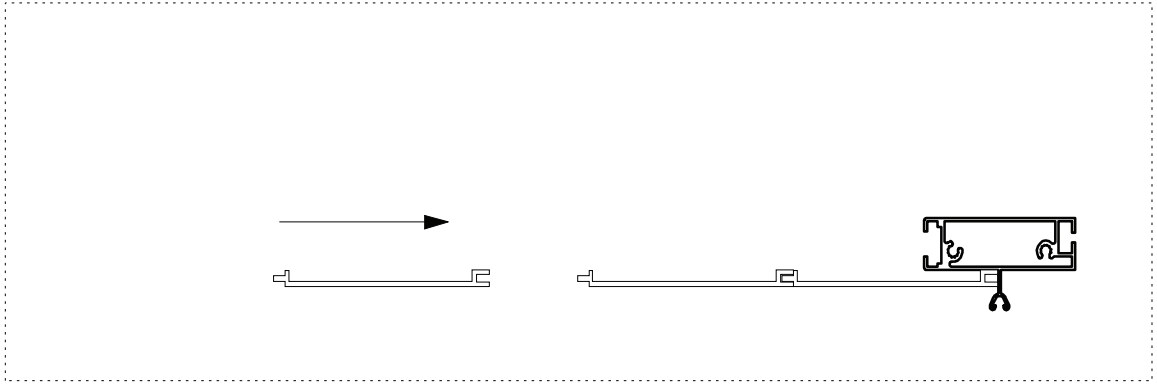


# ED

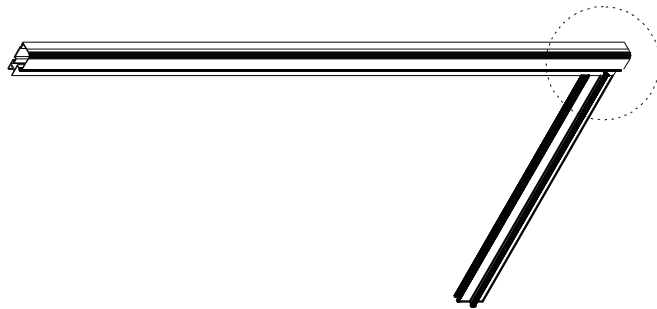
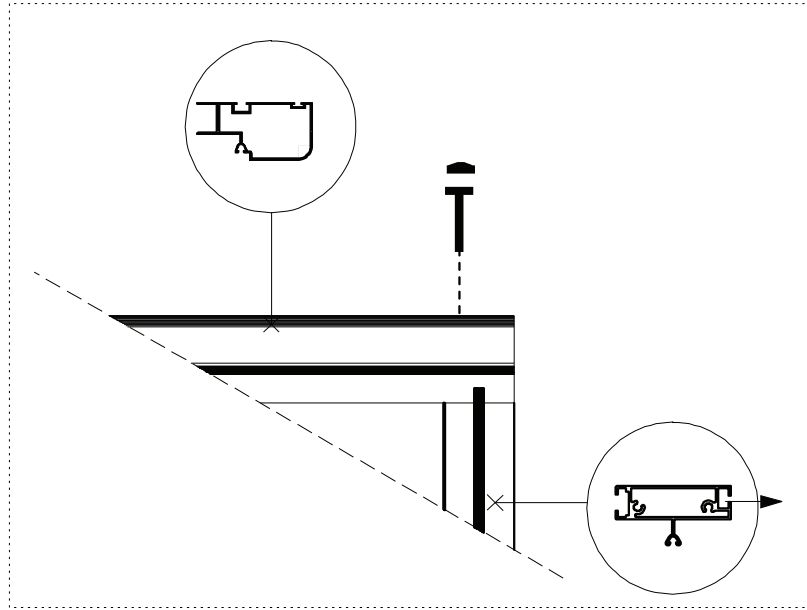
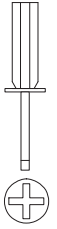


## Profile list Single Door

ES. Nr.	Prof. Nr.	Description	Drawing	Pieces
37		Black cap		12 x
74		Door wheel		2 x
129		Parker screw ø4,8 x 19 mm		10 x
101		Bolt M8 x 12		2 x
106		Wreck M8		2 x
121		tightning ring		2 x
	7001	Inner handle		1 x
	7002	Outer handle		1 x
	9915	Doorprofile		1 x L + 1 x R
	9916	Middle door		3 x
	11969	fill panel		3 x
70		Doorbrush		1 x
107		Parker screw ø4,8 x 16		2 x
117		Wreck M6		2 x
115		Bolt M6 x 8 A2 sunk Head		2 x



2

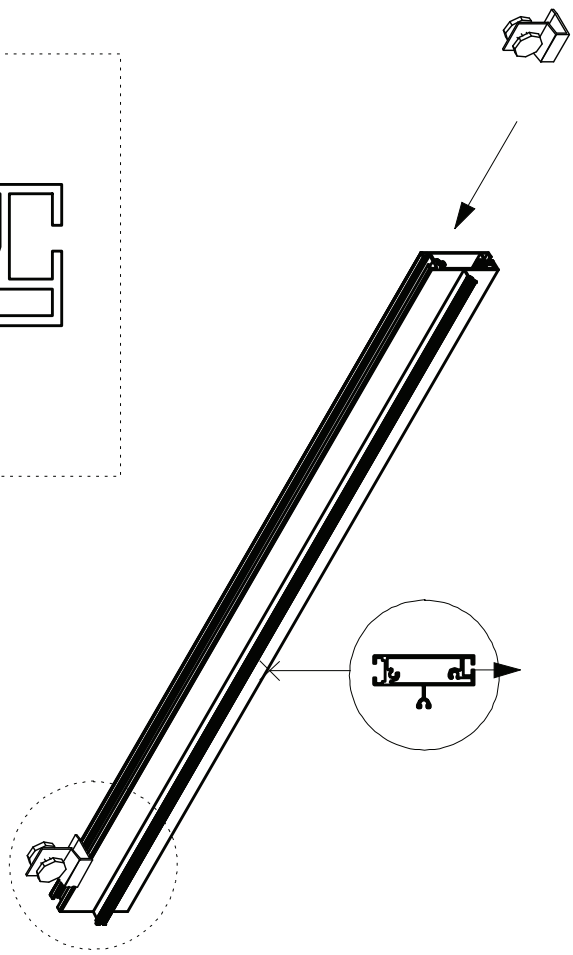
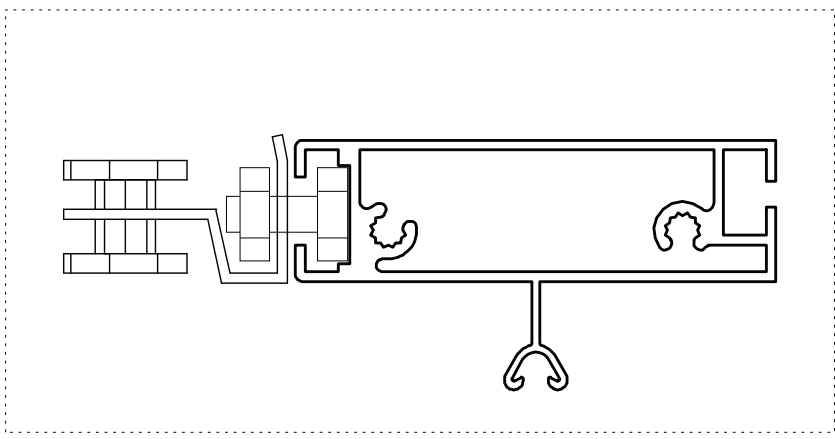


1

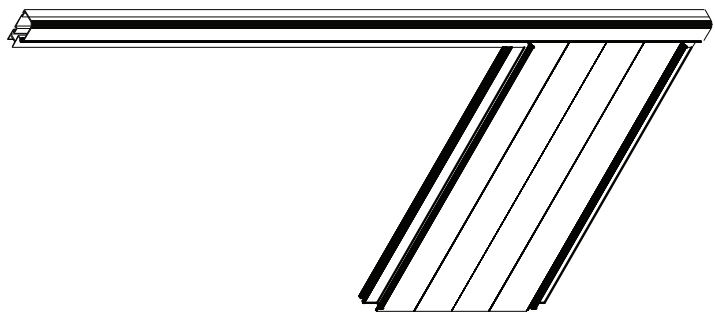
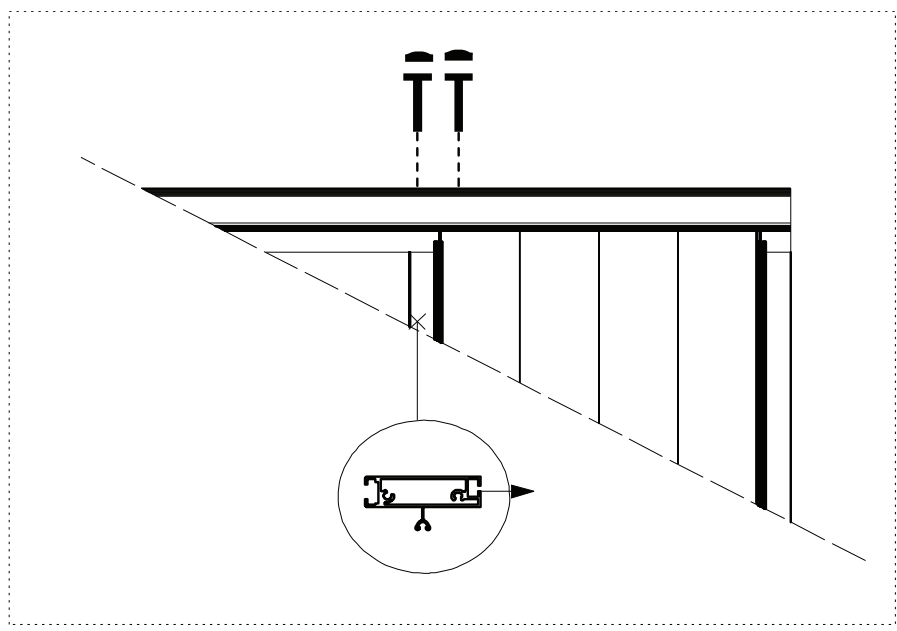
3

4

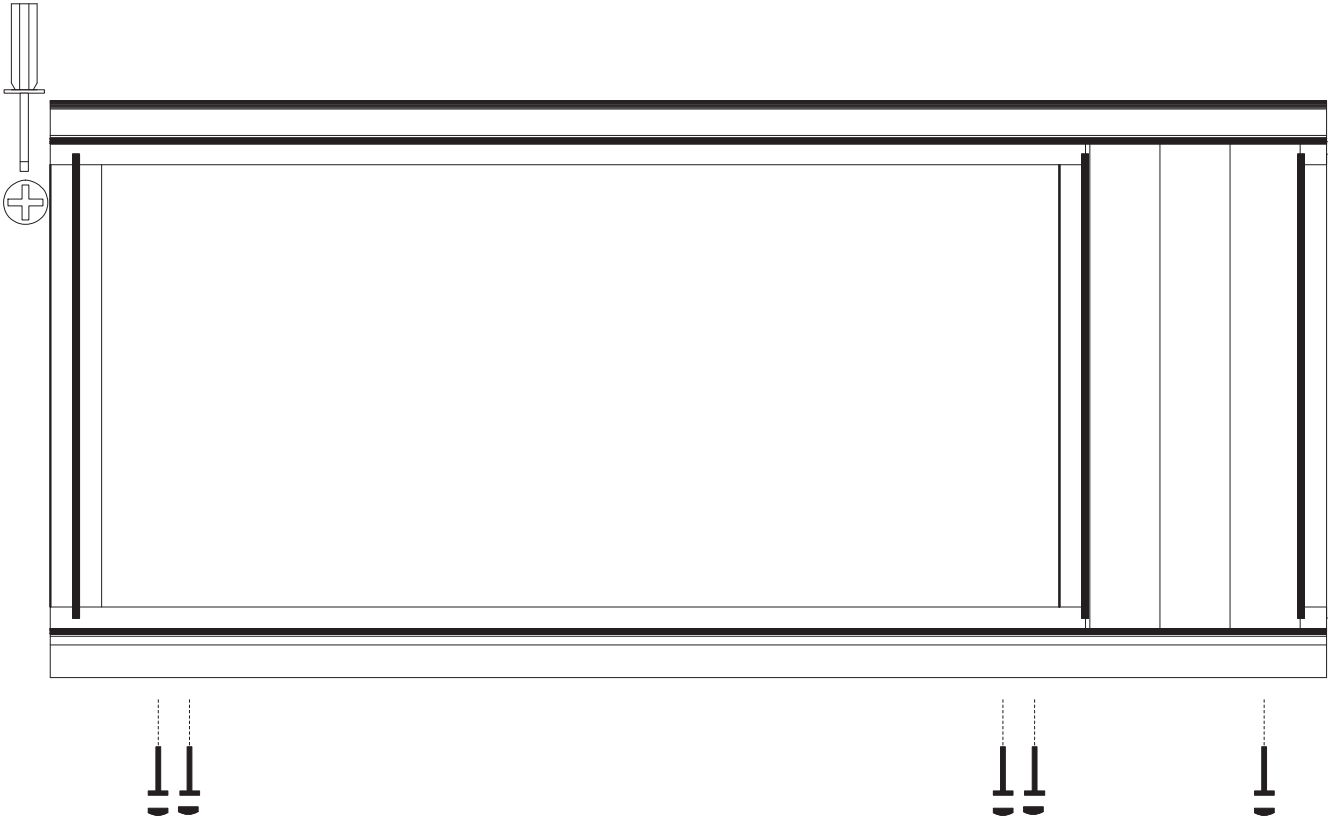
13



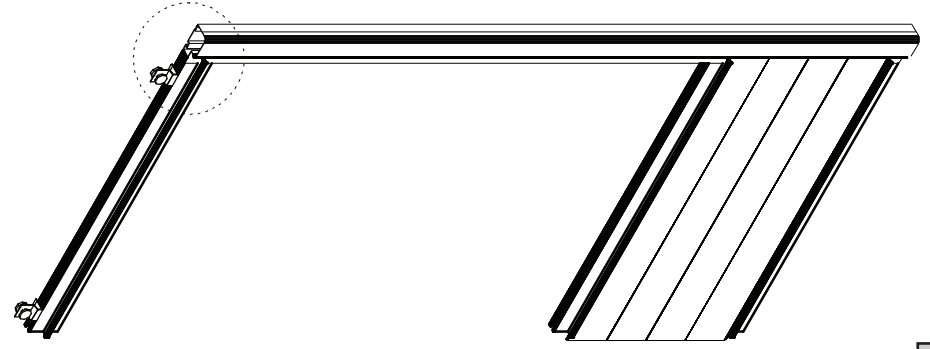
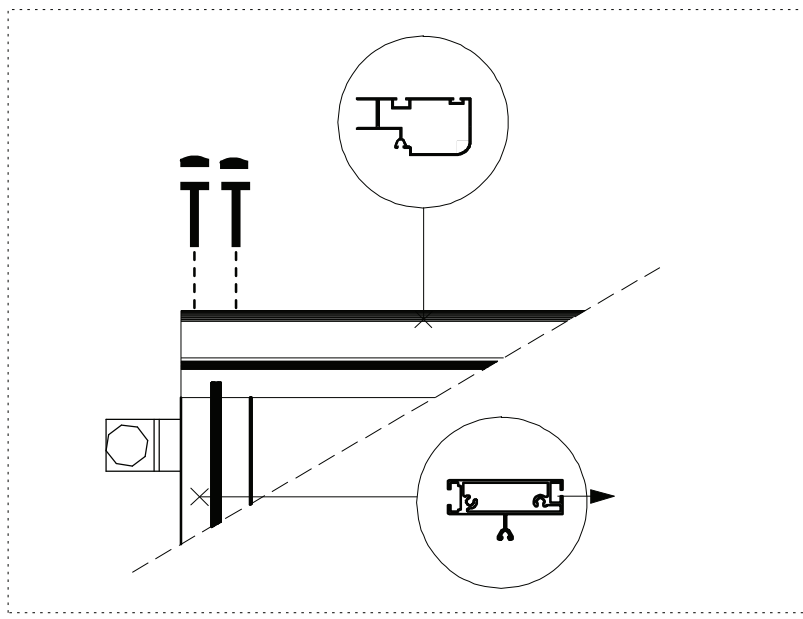
3



4



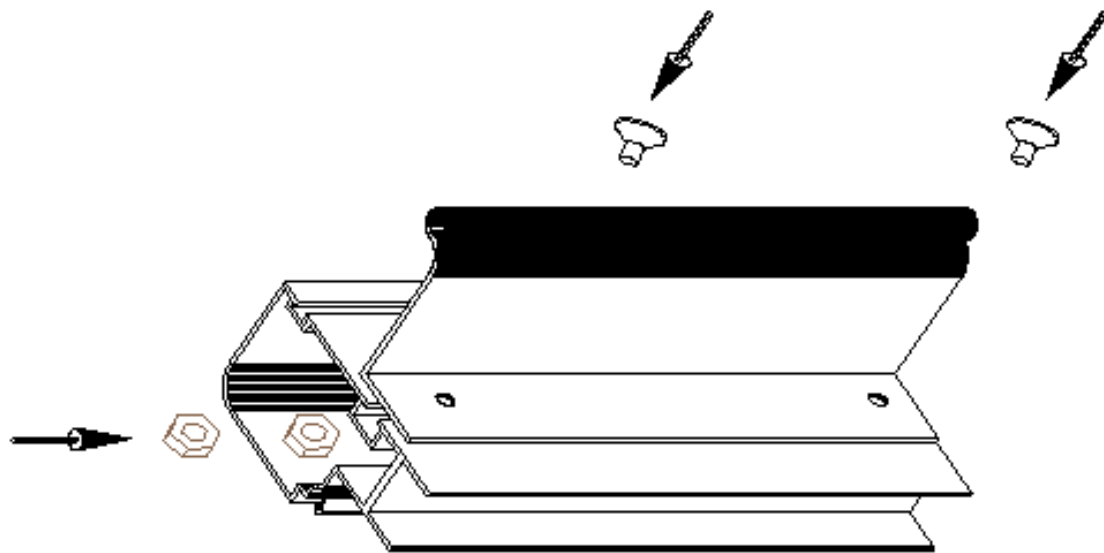
6



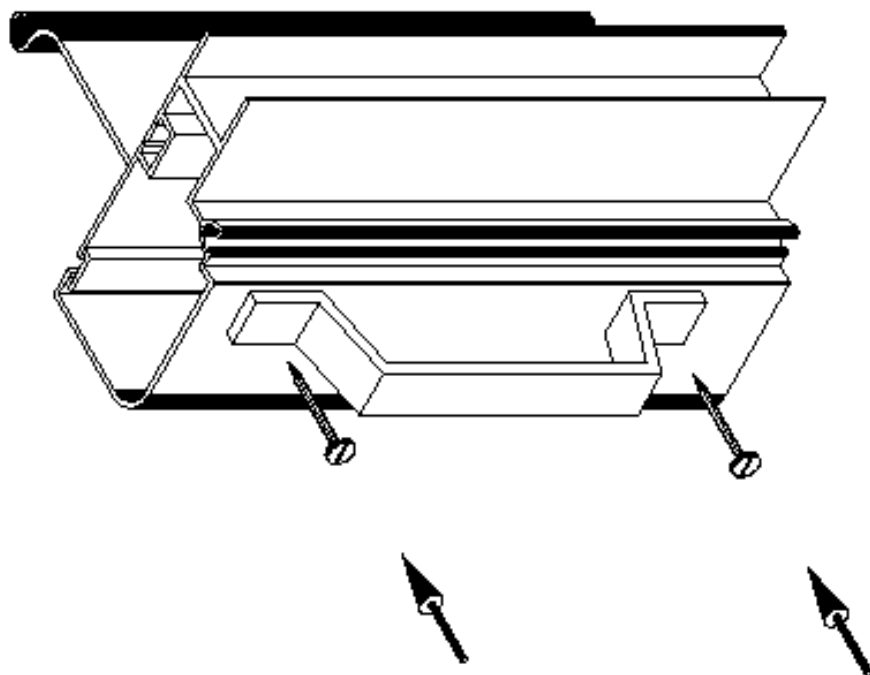
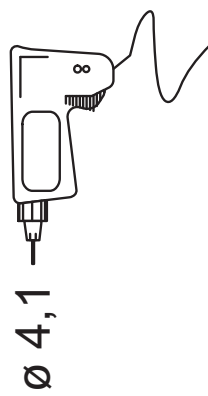
5

5

7

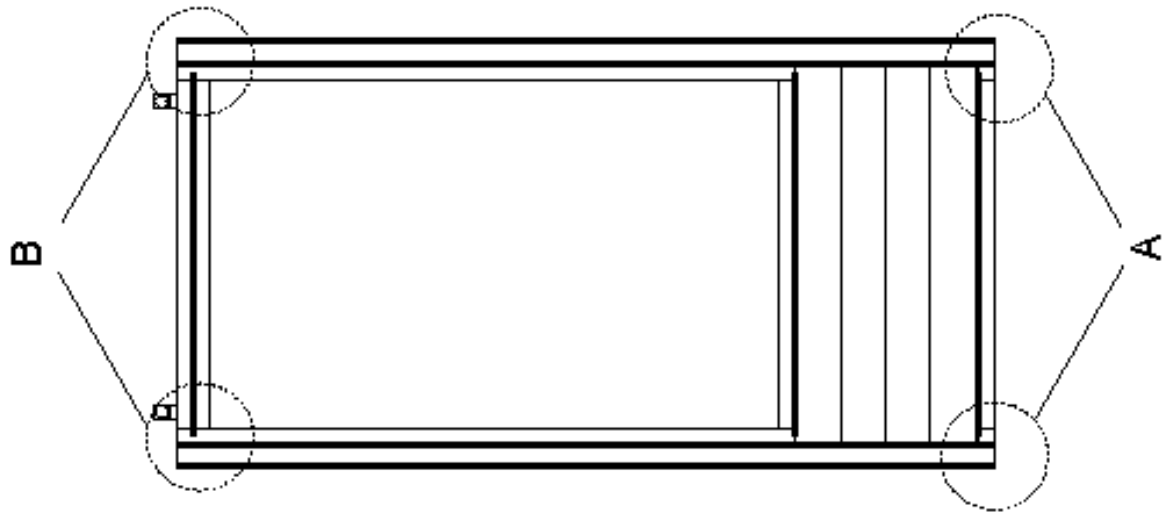


8

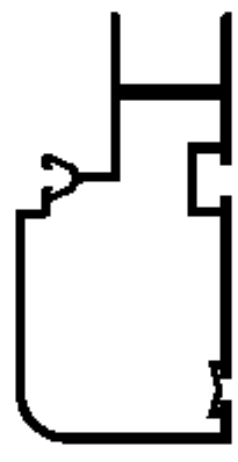
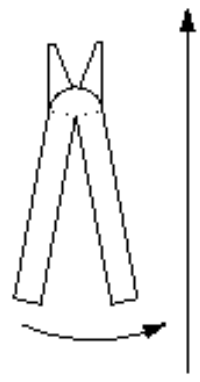
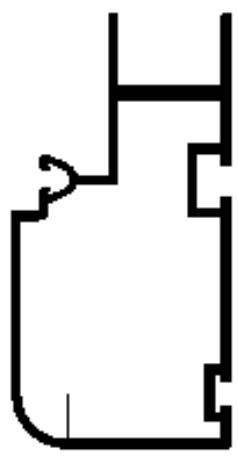


6

9



A



B

